

Neptune[®] Strainers

Sizes: 2", 3", 4", 6", 8", 10", 12", 16", and 20"

Features & Benefits

- Cast bronze body* ensures durability and corrosion resistance
- Low head loss
- Stainless steel strainer plate and cover bolts
- Height to center line matches Neptune Turbines for easy installation
- In-line serviceability

Application

Neptune Strainers are designed and built for long-term, trouble-free performance in water pipeline service. They are specially designed for installation with Neptune[®] Turbine or Tru/Flo[™] Compound meters and are compatible with all other makes as well.

Schlumberger recommends that a strainer be installed with each turbine or Tru/Flo Compound meter to prevent meter damage and to ensure accurate registration regardless of the configuration of the meter installation.

*12", 16", and 20" are epoxy-coated steel only; 8" and 10" are cast iron

Performance

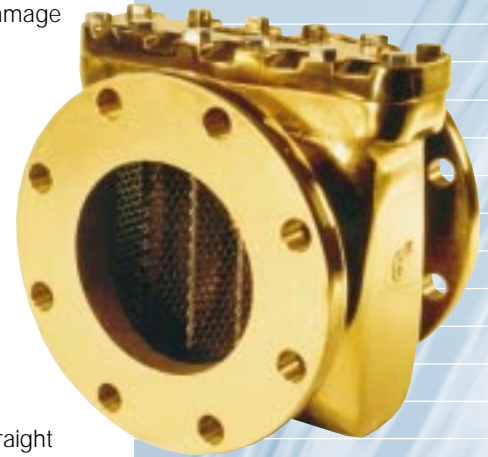
When installed at the inlet of a turbine or compound meter, the Neptune strainer performs two very important functions:

- I. It provides protection against damage to the turbine meter measuring element from debris or foreign material in the pipeline.
- II. The stainless steel, plate-type strainer element is designed to improve the velocity profile of the flow stream entering the meter. This velocity profile improvement optimizes turbine meter performance. Good metering practice normally requires 8 to 10 diameters of straight pipe at the meter inlet to minimize velocity profile distortion caused by upstream valves or other fittings. The Neptune strainer reduces this long straight-run requirement and simplifies meter installation.

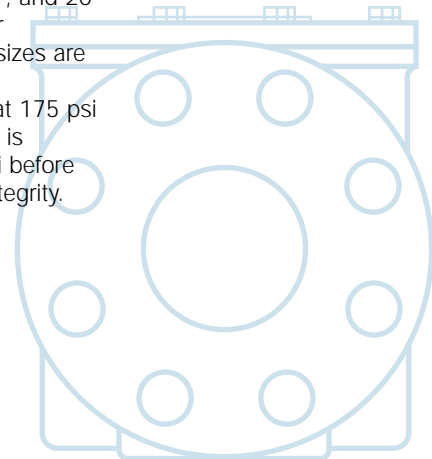
Construction

Neptune strainers are built of the highest quality, time-proven materials available for water pipeline service. Strainer bodies and covers in 2" through 6" sizes are cast bronze; 8" and 10" sizes are cast iron; and 12", 16", and 20" are epoxy-coated steel. Strainer elements and cover bolts in all sizes are stainless steel.

Neptune strainers are rated at 175 psi working pressure. Each strainer is hydrostatically tested at 300 psi before shipment to ensure hydraulic integrity.



Strainers



Warranty & Maintenance

Schlumberger provides a limited warranty with respect to its strainers for performance, materials, and workmanship.

For owner maintenance purposes, Schlumberger offers a complete inventory of replacement parts. When required, maintenance is easily accomplished without removing the strainer from the service line.

Strainer Part Nos.

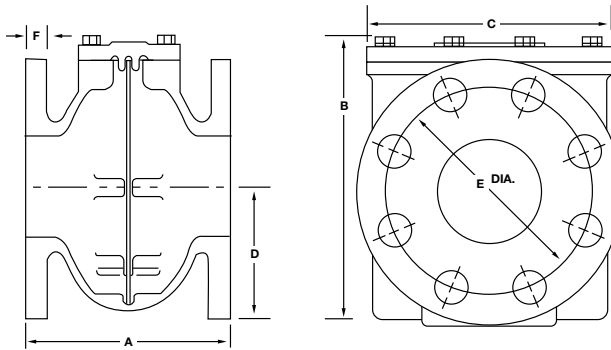
2"	53120-000	Bronze
3"	53107-000	Bronze
4"	53107-100	Bronze
6"	52000-201	Bronze
8"	52000-302	Cast Iron
10"	52000-401	Cast Iron
12"	9276-000	Steel
16"	9276-100	Steel
20"	9276-200	Steel

Maximum Operating Pressure

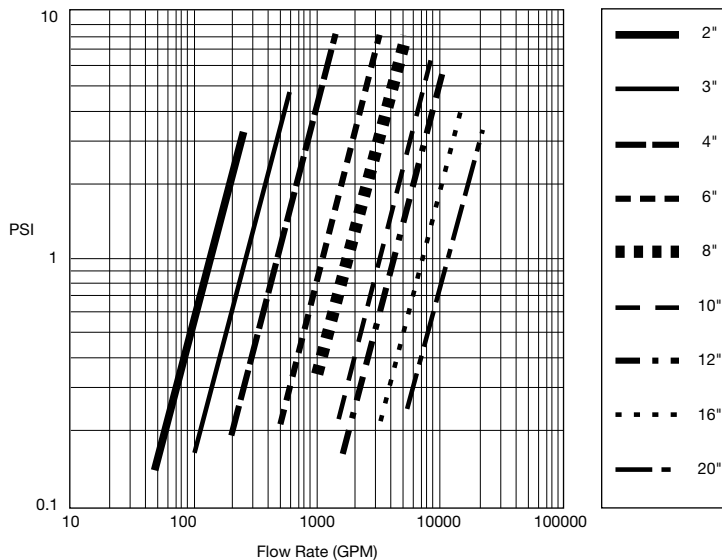
175 psi

Dimensions

Meter Size	A in/mm	B in/mm	C in/mm	D in/mm	E in/mm	F in/mm	No. of Holes	Hole Dia. in/mm	Weight lbs/kg
2"	7 178	6 152	5 ¹ / ₄ 133	2 ¹ / ₈ 54	4 ¹ / ₂ 114	3 ⁴ / ₄ 19	2	3 ⁴ / ₄ 19	16 7.3
3"	6 152	8 ¹ / ₂ 216	8 ³ / ₄ 222	3 ³ / ₄ 95	6 152	5 ⁸ / ₈ 16	4	3 ⁴ / ₄ 19	32 14.5
4"	7 ¹ / ₂ 191	9 ³ / ₄ 248	10 ¹ / ₂ 267	4 ¹ / ₂ 114	7 ¹ / ₂ 191	1 ¹ / ₁₆ 17	8	3 ⁴ / ₄ 19	42 19.0
6"	9 229	11 ³ / ₄ 298	11 ¹ / ₂ 292	5 ¹ / ₂ 140	9 ¹ / ₂ 241	7 ⁸ / ₈ 22	8	7 ⁸ / ₈ 22	80 36.3
8"	10 254	14 356	13 ¹ / ₂ 343	6 ³ / ₄ 171	11 ³ / ₄ 298	1 ¹ / ₈ 29	8	7 ⁸ / ₈ 22	120 54.5
10"	15 381	18 ¹ / ₄ 464	18 ¹ / ₄ 464	8 203	14 ¹ / ₄ 362	1 ³ / ₁₆ 30	12	1 25	160 72.6
12"	16 ⁷ / ₈ 429	18 ⁷ / ₈ 479	20 ¹ / ₂ 521	9 ¹ / ₂ 241	17 432	1 ³ / ₁₆ 21	12	1 25	180 81.6
16"	25 ¹ / ₄ 641	28 711	20 ³ / ₄ 527	11 ³ / ₄ 299	21 ¹ / ₄ 540	1 25	16	1 ¹ / ₄ 29	240 108.8
20"	18 ⁵ / ₈ 473	28 711	26 ¹ / ₈ 664	13 ³ / ₄ 349	25 635	1 ¹ / ₈ 29	20	1 ¹ / ₄ 32	300 136.0



Pressure Loss



For more free information by fax, call Schlumberger Water Division, FAX-BACK System: 1-800-823-4417 and select the document you wish to order.

Customer Service/
Direct to Factory

Your Local Schlumberger Representative:

www.FollinFlo-Controls.com
Phone: (617) 290-2134 Fax: (240) 250-8907