

1900 Series “Woltman” Type Irrigation Water Meters

Sizes: 2”, 2.5”, 3”, 4”, 5”, 6”, & 8”



General

1900 Series “Woltman” Type Paddle Wheel Water Meters are ideally suited to measure flow of irrigation, well water or even extremely polluted water. Liquids w/ up to 30% suspended solids can be measured. An epoxy coated meter body permits the meter to be installed in tough environments. The measurement assembly can be removed without removing the meter for easy maintenance. The vacuum sealed counter is non-resettable and available with contact pulser.

Materials / Construction

Body:	Epoxy Coated Cast Iron
Connections:	ANSI 150 Flanged (2” – 10”)
Insert Housing:	Polyphenylene Oxide
Paddlewheel	Polyphenylene Oxide
Pivot:	Nickel
Bearing:	Sapphire
O-Ring:	Synthetic Rubber
Counter:	Polycarbonate/Plastic

Operating Specifications / Tech Data

Max. Operating Temp:	125°F (52 °C)
Max. Operating Pres.:	230 PSI (16 bar)
Readout:	Odometer, US Gallons
Accuracy:	100% +/- 5%

Flow Range in GPM:

Size	Models	Min.	Cont.	Max.
2”	1947 / 1948	10.5	132	308
2.5”	1950 / 1952	21.0	220	525
3”	1955 / 1957	21.0	400	660
4”	1960 / 1962	52.0	550	1300
5”	1965 / 1967	52.0	770	1540
6”	1970 / 1972	88.0	1100	2200
8”	1975 / 1977	140.0	2000	4000

For Sales & Service Contact:

41 Magnolia Avenue
Cambridge MA 02138
Phone: (617) 290-2134
Fax: (240) 250-8907

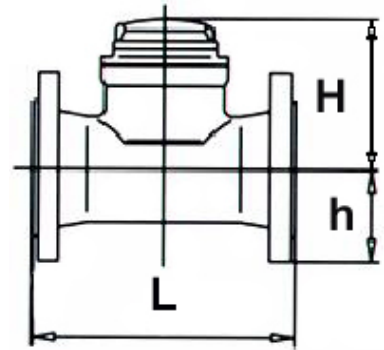
Follin Flo-Controls

www.FollinFlo-Controls.com
sales@FollinFlo-Controls.com

Doc. Ref: 1900_water_bul_FFC_v2

5 Heritage Hill Rd.
Norwalk, CT 06851
Phone: (203) 845-0593
Fax: (203) 846-3825

Dimensions



Size	Models	L	H	h	Lbs.
2”	1947 / 1948	7 1/8”	6 1/8”	2 5/16”	24
2.5”	1950 / 1952	7 1/8”	6 1/8”	3 3/8”	29
3”	1955 / 1957	8 1/8”	6 1/8”	3 3/4”	34
4”	1960 / 1962	9 1/8”	6 1/8”	4 1/8”	42
5”	1965 / 1967	9 1/8”	6 5/8”	4 3/4”	53
6”	1970 / 1972	11 1/8”	6 5/8”	5 5/16”	66
8”	1975 / 1977	13 3/4”	7 1/8”	7 1/8”	106

(bold denotes version w/ pulser, see values below)

Pulse Weights

10 Gal	(2”) 1948, (2.5”) 1952, (3”) 1957, (4”) 1962
100 Gal	(5”) 1967, (6”) 1972, (8”) 1977

Installation Considerations

Recommend 5 pipe diameters of straight, unobstructed pipe of the same diameter as meter for best accuracy.

Can be installed horizontally (index pointing up) or vertically (up or down flow).

The flow indicator arrow on the meter body should be installed in the direction of water flow

Meters are designed to operate at a sustained flow of half the max flow rating. They should not be operated at max flow for more than 1 hr/day.

Shut-off valves are recommended before and after the meter to facilitate service.

Options & Accessories

- Reed Switch Pulse Output (1722, 1732 & 1742)
 - Form A (2 wire) output
 - switch rating: 0.2 amp at 24V
- Remote Totalizers
- Cuft or Metric versions
- Flange Kits