

1900 Series High Temperature Water Meters

Sizes: 2", 3" & 4"



General

1900 Series High Temperature Water Meters are ideally suited to measure flow hot of water up to 350°F. The meters come standard with pulse output. All internal wetted parts are stainless steel or bronze.

Materials / Construction

Body:	Nodular Iron
Connections:	ANSI 150 Raised Face Fl. (2" – 4")
Wetted Materials:	Stainless Steel & Bronze

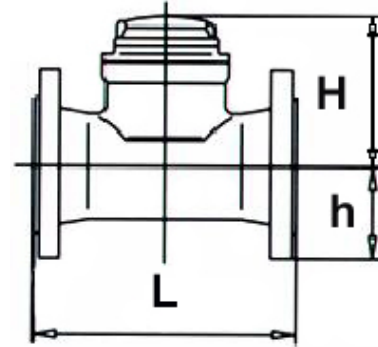
Operating Specifications / Tech Data

Max. Operating Temp:	350°F (177 °C)
Max. Operating Pres.:	195 PSI (13.4 bar)
Readout:	Odometer, US Gallons
Accuracy:	100% +/- 5%

Flow Range in GPM:

Size	Models	Min.	Cont.	Max.
2"	1920R	2.6	66	110
3"	1930R	7.0	176	308
4"	1940R	10.5	254	440

Dimensions & Weights



Size	Models	L	H	h	Lbs.
2"	1920R				31
3"	1930R				44
4"	1940R				73

Pulse Weights

2" 1920R	10 or 100
3" 1930R	10 or 100
4" 1940R	10 or 100

Installation Considerations

Recommend 5 pipe diameters of straight, unobstructed pipe of the same diameter as meter for best accuracy.

Must be installed horizontally (index pointing up)

The flow indicator arrow on the meter body should be installed in the direction of water flow

Meters are designed to operate at a sustained flow of half the max flow rating. They should not be operated at max flow for more than 1 hr/day.

Shut-off valves are recommended before and after the meter to facilitate service.

Options & Accessories

- Remote Totalizers
- Cuft or Metric versions
- Flange Kits

For Sales & Service Contact:

41 Magnolia Avenue
Cambridge MA 02138
Phone: (617) 290-2134
Fax: (240) 250-8907

Follin Flo-Controls
www.FollinFlo-Controls.com
sales@FollinFlo-Controls.com

Doc. Ref: W07A_1900_High_Temp_FFC v. 1

5 Heritage Hill Rd.
Norwalk, CT 06851
Phone: (203) 845-0593
Fax: (203) 846-3825