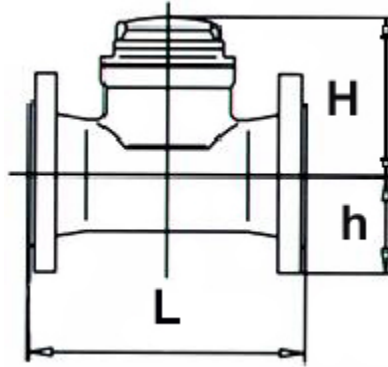


1700 Series “Super Jet” Water Meters

Size: 2”



Dimensions



Size	L	H	h	Weight
2”	7 7/8”	5-1/2”	3”	27 Lbs.

General

“Super-Jet” 1750 Series Water Meters are the latest design in Woltman style flow meters. The result: high reliability with great accuracy at a low cost. The design of the “Super-Jet” flow chamber guides the water through the meter to minimize turbulence. All flow meters are designed with a trickle-flow indicator showing even the smallest water flow. The flow counter is non-resettable and available with contact pulsers.

Materials / Construction

Body:	Epoxy Coated Cast Iron
Connections:	2” ANSI 150 RF
Turbine:	Polyamide Fiber Reinforced
Magnet:	Cobalt/Samarium
Pivot:	Stainless Steel
Bearing:	Ceramic
Strainer:	Polypropylene
O-Ring:	Synthetic Rubber or Viton
Counter:	Polycarbonate/Plastic

Operating Specifications / Tech Data

Max. Operating Temp:	200°F (90 °C)
Max. Operating Pressure:	150 PSI (1034 kPa / 10 bar)
Readout:	8 digit, US Gallons
Min. readout	0.05 Gal.
Max. reading	100 million USG
Accuracy:	100% +/- 1½%

Flow Range in GPM:

Size	Min.	Cont.	Max.
2” 1750 (52)	1.3	66.0	132.0

For Sales & Service Contact:

41 Magnolia Avenue
Cambridge MA 02138
Phone: (617) 290-2134
Fax: (240) 250-8907

Follin Flo-Controls

www.FollinFlo-Controls.com
sales@FollinFlo-Controls.com

Doc. Ref: 1700_water_bul_2_FFC_v1

5 Heritage Hill Rd.
Norwalk, CT 06851
Phone: (203) 845-0593
Fax: (203) 846-3825

Installation Considerations

No straight pipe before and after the meter is required to meet or exceed AWWA accuracy standards.

The 2” 1750/1752 Meter can be installed horizontally (with index pointing up) or vertically (up or down flow).

The flow indicator arrow on the meter body should be installed in the direction of water flow

Meters are designed to operate at a sustained flow of half the max flow rating. They should not be operated at max flow for more than 1 hr/day.

A strainer and shut-off valve are recommended upstream of the meter.

The 2” 1750 / 1752 can be pit mounted and can handle submersion depths of 5 meters.

Options & Accessories

- Reed Switch Pulse Output (1752)
 - Form A (2 wire) output
 - 1 pulse / 10 gal
 - switch rating: 0.2 amp at 24V
- Remote Totalizers
- High Temperature versions
- High Flow versions (up to 12”)
- CuFt or Metric versions