

MultiMag

Multi-jet Water Meter for Residential Applications

Key Features

- ▶ Velocity - Multi-jet type
- ▶ Direct magnetic transmission
- ▶ Easy maintenance
- ▶ Outstanding metrology
- ▶ Endurance



▶ 5/8" x 3/4" MultiMag

MultiMag is a multi-jet type water meter with extra dry, roll sealed register for residential applications.

The Technology

MultiMag combines the advantages of multi-jet technology and a roll sealed register for stable accuracy in tough, aggressive environments. MultiMag meets or exceeds all sections of the latest AWWA Standard C-708.

Other Standards

Also complies with the following international standards for residential billing applications:

- ISO 4064 (and derived standards)
- ABNT NM 212 (South America)
- Portaria INMETRO 246/2000 (Brazil)
- NOM-012-SCFI (Mexico)
- EEC (Europe)

In addition, MultiMag is manufactured by Actaris in an ISO 9001-2000 Certified factory.

Register

Magnetic drive, low torque registration for excellent low flow performance. Metallic register shell and wrap-around gasket to prevent moisture intrusion. Bayonet style register box allows removal/replacement of the register while the meter is pressurized. High resolution and low flow detection. Six wheel odometer is standard. Registration available in gallons, cubic feet or cubic meters.

Main Case

81% copper, water works bronze is standard. Resists in line piping stresses and external damage. 87% copper, low lead bronze is available as an option.

Measuring Chamber

- Multi-jet type.
- Widest effective flow range for maximum revenue.
- 1/8 gpm low flow accuracy.
- Long life wear surfaces provide industry leading meter endurance.

Magnetic Fraud Protection

Patented design of magnetic shield, which provides extra protection against magnetic interference.

Strainer

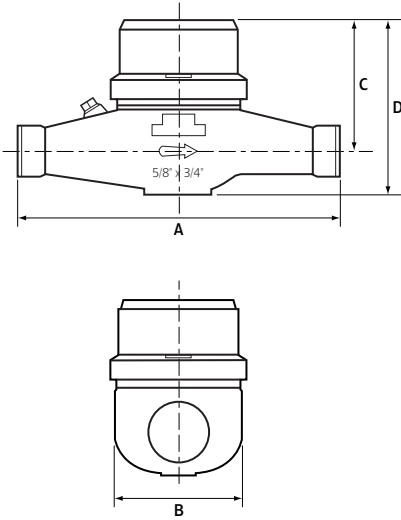
Inlet finger strainer design protects the measuring element from damage. Can be removed and cleaned without disassembly of the meter.

Option for Communication

The MultiMag can optionally be supplied pre-equipped with Cyble interface for the immediate or future integration of the water meters into remote reading systems. Cyble interface modules are available as either:

- Pulse output (standard switch closure type output).
- Serial communicating (ASCII based protocol compatible with all major reading systems on the market today).

Dimensions



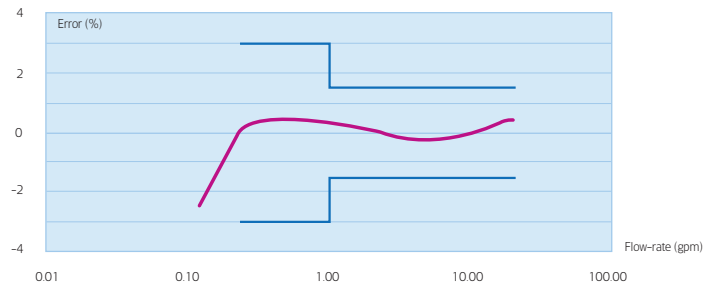
A - Length	7 1/2"
B - Width	3.2"
C - Centerline to top	2.8"
D - Overall height	3.9"
Weight (lbs.)	2.2

Technical Characteristics

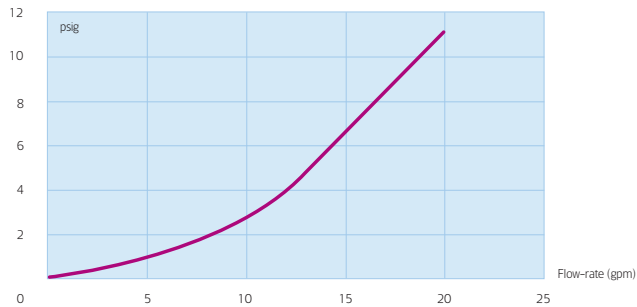
Metrological Performances

Type		5/8" x 3/4"	
Maximum flow rate	Qmax	gpm	20
Nominal flow rate	Qn	gpm	15
Normal flow range		gpm	1-20
Minimum flow rate	Qmin	gpm	1/8
Register capacity		gallons	10,000,000
		cu.ft.	1,000,000
Sweep hand registration		gallons	1
		cu.ft.	0.1
Maximum working pressure		psig	150
Maximum working temperature		°F	122

Accuracy Curve



Head Loss



Follin Flo-Controls

Cambridge, MA/Norwalk, CT

Phone: (617) 290-2134 / (203) 845-0593

Fax: (240) 250-8907 / (203) 846-3825

www. FollinFlo-Controls.com