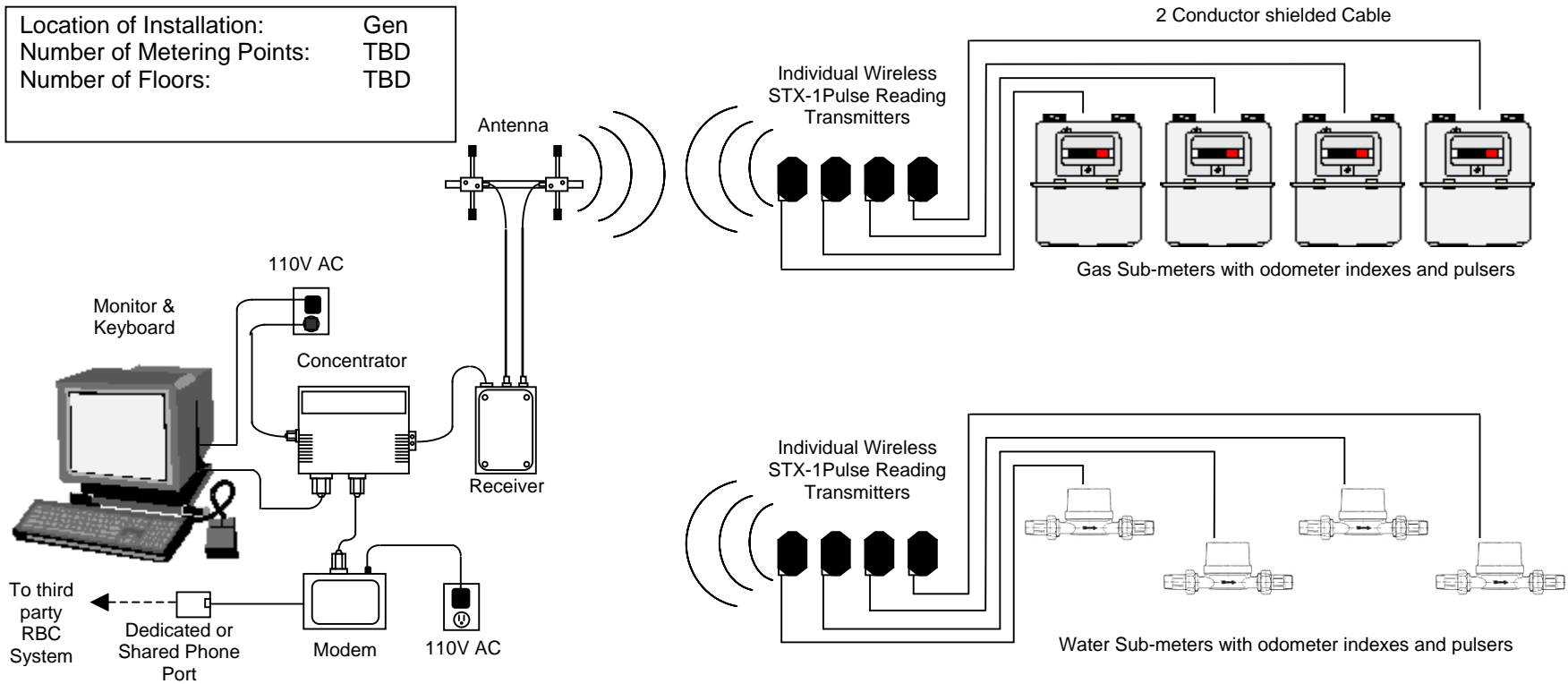


Submetering & Automatic Meter Reading System Basic Configuration Diagram

Location of Installation:	Gen
Number of Metering Points:	TBD
Number of Floors:	TBD



Notes:

1. This offer only includes HW , SW and Services as noted in the attached BOM.
2. Wiring diagrams are presented for informational purposes and this quote does NOT include cabling
3. SW and commissioning assistance provided as per attached BOM
4. PC not included. (Monitor and Keyboard are provided)

Description: Gas Meters are Gallus 2000 submeters. Water Meters are Single Jet or Multi-jet. Each meter has a pulser. Each meter with pulsers can be wired to a dedicated remote battery powered Radio Frequency (RF) Transmitter that accumulates the pulses and transmits them wirelessly. The meters can be installed out of the way in a utility closet, in a drop ceiling or in each apartment. If the transmitters are extremely far apart, one or more wireless repeaters are used to relay the signal to the Concentrator. The Concentrator consolidates the readings which are sent via phone line to a third party RBC company and/or can be viewed on the monitor by the landlord. This system uses a high power, licensed RF frequency which provides a higher reliability level than non-licensed systems.

FOLLIN FLO ▶ CONTROLS
a division of **BIG WAVE** inc

Rev: 1

AMR Configuration Diagram

FFC Ref: 05020227