

# Pulsimatic Transmitter

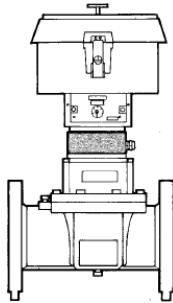
**Description:** The Pulsimatic housing is machined out of solid Aluminum. It is installed wafer style and fits nearly all meter types.

**Listing/Rating:** UL Listed  
 Class 1, Div 2 Groups A,B,C,D

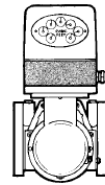
**Dimensions:** 1 1/2" x 5 1/4" x 5 1/4"  
 (\* 1000P/Rev is 1 3/4" Thick)

**Material:**

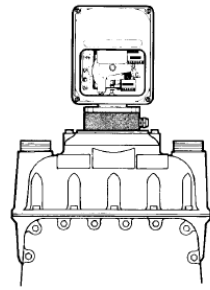
- Case Material: Cast Aluminum
- Bottom Gasket: Neoprene or Cork
- Shaft: Stainless Steel
- Drive Dog: Brass with Stainless Steel Pin
- Gears: Aluminum (Std.) CRES (Optional)
- Internal Wire Leads: 20 AWG PVC U.L. 1180
- Internal Terminal Block: Plastic with Steel trim
- Compression Fitting: Plastic, HEYCO (Alu. Conduit Adapter Optional)
- Switches: Dry Reed, Hamlin, Can configure as Form A or Form C ( 1/2 - 50 P/Rev)  
 Slot Sensor with Optical Pick-up (100 P/Rev) Std or P&F version  
 HP Encoder (500 or 1000 P/Rev)



MOUNTED BETWEEN TURBINE METER AND INSTRUMENT



MOUNTED BETWEEN ROTARY METER AND INDEX



MOUNTED BETWEEN DIAPHRAGM METER AND INSTRUMENT

**Form A Switch Characteristics (1/2 – 50 P/Rev):**

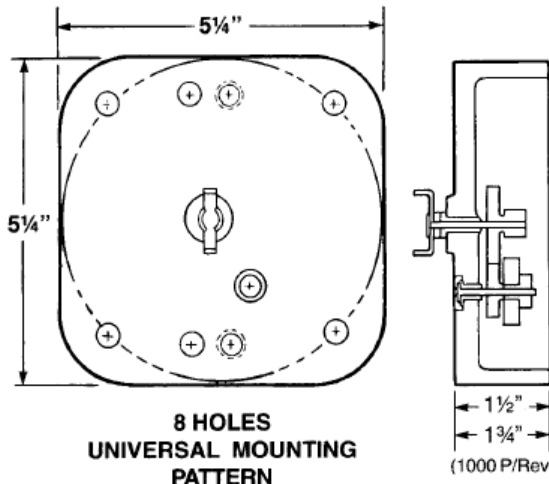
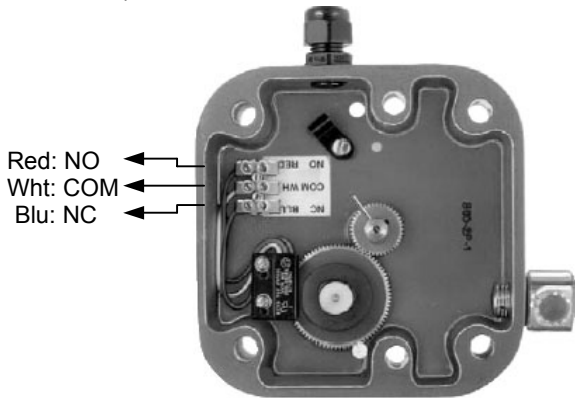
- Max Watts: 10 W
- Max Switching Voltage: 300 VDC
- Max Switching Current: 500 mA
- Resistance, Initial Contact: 0.20 Ohms
- Operating Time: 0.6 milliseconds
- Operating Temp: -20 to 105 °C

**Form C Switch Characteristics (1/2 – 50 P/Rev):**

- Max Watts: 3 W
- Max Switching Voltage: 175 VDC
- Max Switching Current: 250 mA
- Resistance, Initial Contact: 0.20 Ohms
- Operating Time: 0.7 milliseconds
- Operating Temp: -40 to 105 °C

**Typical Output:** for Pulsimatic-1 Form A/C Mounted on 10 Ft Drive Dog: 1 Pulse = 10 Cuff

**Pulse Output Options:** Reed Switch: (1/2, 1, 2, 5, 10, 20, or 50 pulse/rev.)  
 Slot Detector (100 pulse/rev.) requires 5-12VDC Power  
 Encoder (500, 1000 pulse/rev.) requires 5-12VDC Power



For Sales & Service Contact:

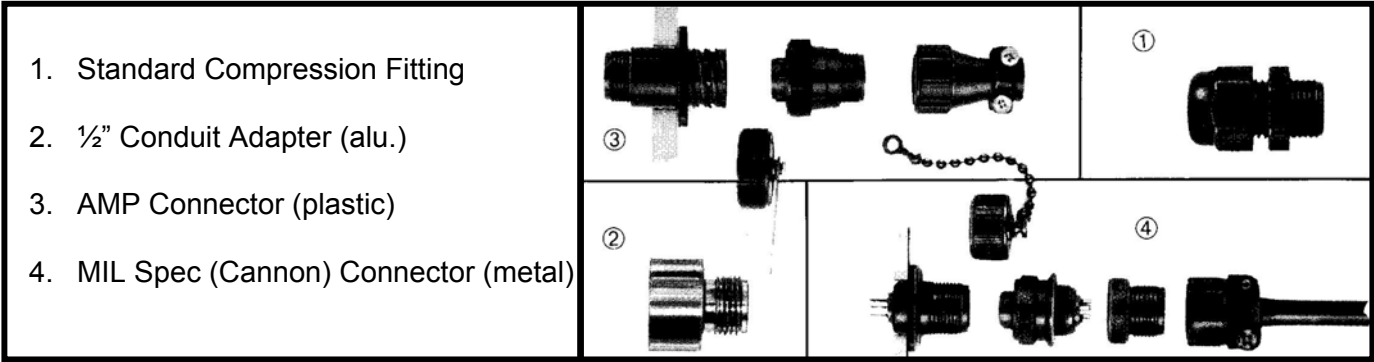
39 Magnolia Avenue  
 Cambridge MA 02138  
 Phone: (617) 290-2134  
 Fax: (240) 250-8907

**Follin Flo-Controls**  
[www.FollinFlo-Controls.com](http://www.FollinFlo-Controls.com)  
[sales@FollinFlo-Controls.com](mailto:sales@FollinFlo-Controls.com)  
 Doc. Ref: Pulsimatic\_Pulser\_Bulletin\_FFC\_v2

5 Heritage Hill Rd.  
 Norwalk, CT 06851  
 Phone: (203) 845-0593  
 Fax: (203) 846-3825

Other Options:

The unit comes with a compression fitting through which cable can be run and wired into a terminal block on the underside of the Pulsimatic. Other options for termination include:



Installation Kits are also available.

- They include brass studs with washers and nuts in lengths of 3 1/4" (standard), 4", 5 3/4" and 6 1/2". Stud threads come in 5/16-18 Thread (std.) or 18-18 Bottom Thread (for AMCO meters)
- Actaris A-Series Mounting Kit: # DMK 217 includes stud kit and special mounting bracket. AMCO Mounting Plate
- If no Index will be on top of the pulser a weather cap kit can be installed to protect the top drive dog.
- Mechanical "Drive Multiplier" can be stacked under most Pulsimatics to mechanically increase drive output by a factor of 10. (requires any index on top of pulsomatic to be appropriately matched to new drive rate)
- Dual Pulse output options are available to permit dedicated isolated outputs for both the utility and customer

Frequency of output when used with common commercial industrial meters:

Typical Turndown	20 :1		Standard Output ( 1 P/Rev)		
	Min Capacity (SCFH)	Max Capacity (SCFH)	Std Drive	Pulses/Sec	
Meter	Min Capacity (SCFH)	Max Capacity (SCFH)	Pulse Weight (Cuft)	Min (Hz)	Max (Hz)
675A	33.75	675	10	0.0009	0.0188
800A	40	800	10	0.0011	0.0222
1000A	50	1000	10	0.0014	0.0278
RM1000	50	1000	10	0.0014	0.0278
RM1500	75	1500	10	0.0021	0.0417
RM2000	100	2000	10	0.0028	0.0556
RM3000	150	3000	10	0.0042	0.0833
RM5000	250	5000	10	0.0069	0.1389
RM7000	350	7000	10	0.0097	0.1944
RM11000	550	11000	10	0.0153	0.3056
RM16000	800	16000	100	0.0022	0.0444
RM23000	1150	23000	100	0.0032	0.0639
GT6	1750	35000	100	0.0049	0.0972
RM38000	1900	38000	100	0.0053	0.1056
GT8	3000	60000	1000	0.0008	0.0167

For Sales & Service Contact:

39 Magnolia Avenue  
 Cambridge MA 02138  
 Phone: (617) 290-2134  
 Fax: (240) 250-8907

**Follin Flo-Controls**  
[www.FollinFlo-Controls.com](http://www.FollinFlo-Controls.com)  
[sales@FollinFlo-Controls.com](mailto:sales@FollinFlo-Controls.com)

5 Heritage Hill Rd.  
 Norwalk, CT 06851  
 Phone: (203) 845-0593  
 Fax: (203) 846-3825