

8 7 6 5 4 3 2 1

REVISIONS			
REV.	DESCRIPTION	DATE	APP.

Cordgrip (Standard) 21

5 Conduit Adapter (Optional)

D

D

C

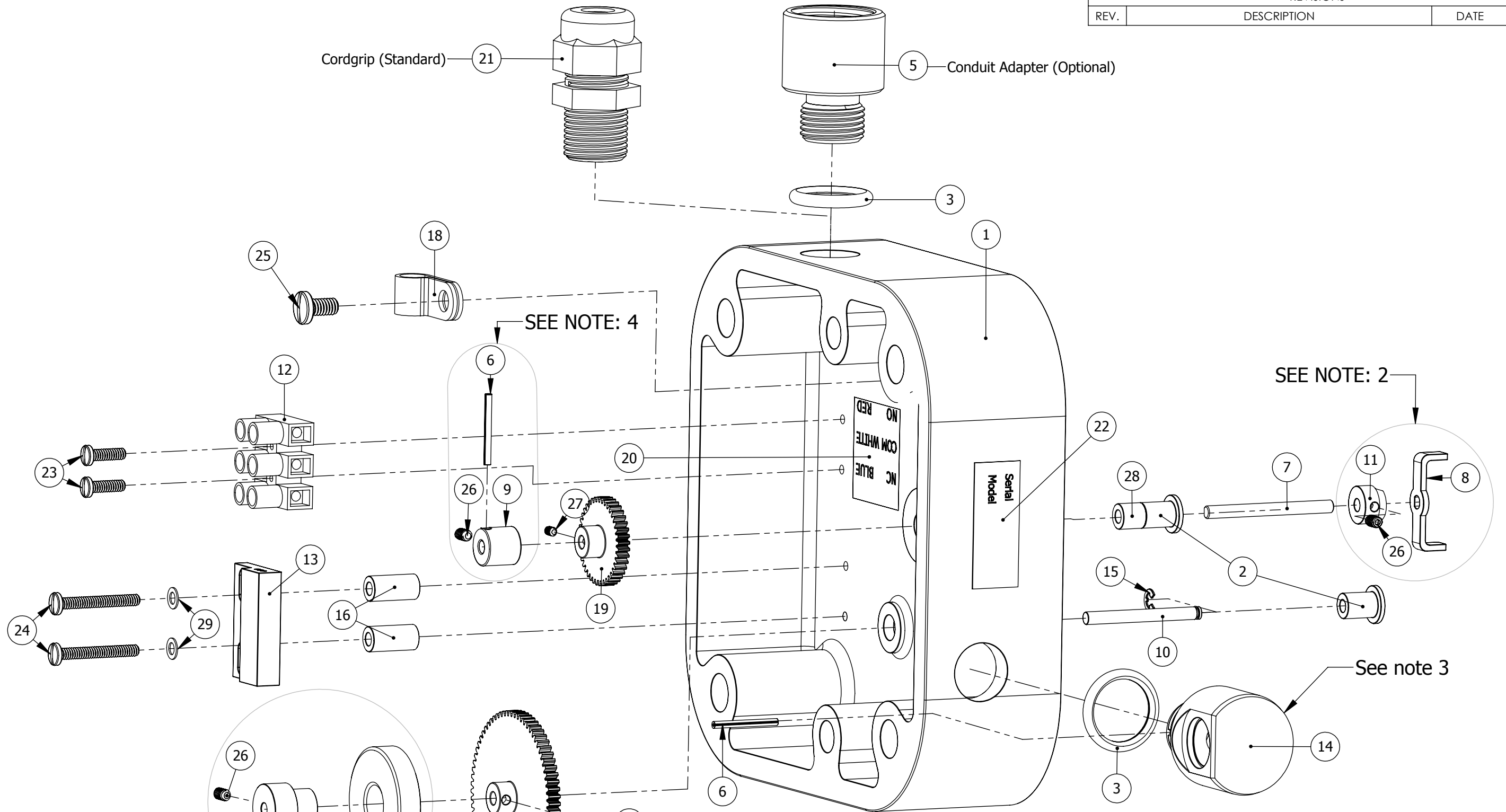
C

B

B

A

A



SEE NOTE: 4

SEE NOTE: 2

SEE NOTE: 1

See note 3

**PROPRIETARY AND CONFIDENTIAL**  
 THE INFORMATION CONTAINED IN THIS DRAWING IS THE SOLE PROPERTY OF IMAC SYSTEMS INC. ANY REPRODUCTION IN PART OR AS A WHOLE WITHOUT THE WRITTEN PERMISSION OF IMAC SYSTEMS INC. IS PROHIBITED.

UNLESS OTHERWISE SPECIFIED:		NAME	DATE	<b>IMAC SYSTEMS INC.</b> 90 Main St., Tullytown PA. 19007 www.imacsystems.com 1-800-955-4GAS TITLE: <h1>Pulsimatic Assembly Matrix</h1>	
DIMENSIONS ARE IN INCHES		DRAWN	TH		08/24/10
TOLERANCES:		CHECKED	JG		08/24/10
FRACTIONAL ±1/32		ENG APPR.			
ANGULAR: MACH ±1/2°		MFG APPR.			
BEND ±1/16		Q.A.			
TWO PLACE DECIMAL ±.010		COMMENTS:			
THREE PLACE DECIMAL ±.005					
INTERPRET GEOMETRIC TOLERANCING PER:					
MATERIAL				SIZE DWG. NO. REV	
See Components				<b>B</b> 300 Series N/A	
FINISH				SCALE: 1:4 SHEET 1 OF 8	
See Components					
NEXT ASSY	USED ON				
APPLICATION	DO NOT SCALE DRAWING				

8 7 6 5 4 3 2 1

ITEM NO.	PART NUMBER	DESCRIPTION	QTY.
1	301-0002	Pulsimactic Housing (Machined	1
2	301-0006	Bearing Flange 1/8 Diameter I.D.	2
3	301-0049	O-Ring	2
4	301-0009	Gear (96 tooth)	1
5	301-0013	Conduit Adapter (Optional)	1
6	301-0043	1/16 Diameter Spring Pin	2
7	301-0045	Shaft (Drive)	1
8	301-0003	Wriggler Fork	1
9	301-0052	Hub (Drive)	1
10	301-0046	Shaft - Disc Drive, Magnet	1
11	301-0004	Wriggler Drive Hub	1
12	301-0023	Terminal Block (3) Position	1
13	301-0028	Reed Switch	1
14	301-0079	Vent Assembly (See Note 3)	1
15	301-0010	Retaining Ring	1
16	301-0032	Standoff	2
17	301-0029-1	Magnet (2 pole)	1
18	301-0024	Wire Clamp	1
19	301-0008	Gear (24 tooth)	1
20	301-0089	Label Wire I.D.	1
21	301-0012	Heyco Cordgrip Assembly	1
22	301-0086	Model/Serial Number Label	1
23	301-0085	Screw, Pan Head 4-40 X 3/8	2
24	301-0034	Screw, Pan Head 4-40 X 7/8	2
25	301-0036	Screw, Pan Head 8-32 X 5/16	1
26	301-0044	Setscrew 4-40 X 3/16	3
27	301-0025	Setscrew 2-56 X 1/8	2
28	301-0007	Plain Bearing 1/8 Diameter I.D.	1
29	301-0058	# 4 Flat Washer	2
30	301-0031	Delrin Hub	1
Note 1	301-0029	Sold as an assembly consists of parts(s) 301-0031, 301-0029-1, 301-0044	X
Note 2	301-0048	Sold as an assembly / consists of parts 301-0003, 301-0004, 301-0044	
Note 3	301-0079	Sold as an assembly / consists of parts(s) 301-0079-1 & 301-0079-2	
Note 4	301-0042	Sold as an assembly / consists of parts(s) 301-0043, 301-0052, 301-0044	

<p><b>PROPRIETARY AND CONFIDENTIAL</b></p> <p>THE INFORMATION CONTAINED IN THIS DRAWING IS THE SOLE PROPERTY OF &lt;INSERT COMPANY NAME HERE&gt;. ANY REPRODUCTION IN PART OR AS A WHOLE WITHOUT THE WRITTEN PERMISSION OF &lt;INSERT COMPANY NAME HERE&gt; IS PROHIBITED.</p>			DIMENSIONS ARE IN INCHES TOLERANCES: FRACTIONAL ± ANGULAR: MACH ± BEND ± TWO PLACE DECIMAL ± THREE PLACE DECIMAL ±	NAME	DATE	<h1 style="margin: 0;">Pulsimatic 1/2 Pulse/Rev Bill of Material</h1>	
			MATERIAL	DRAWN			SIZE <b>A</b> DWG. NO. <b>300-2P-1/2</b> REV.
			FINISH	CHECKED			
			APPLICATION	ENG APPR.			
	NEXT ASSY	USED ON	THREE PLACE DECIMAL ±	MFG APPR.		SCALE: 1:1 WEIGHT: SHEET 2 OF 8	
			DO NOT SCALE DRAWING	Q.A.			
				COMMENTS:			

ITEM NO.	PART NUMBER	DESCRIPTION	QTY.
1	301-0002	Pulsimactic Housing (Machined	1
2	301-0006	Bearing Flange 1/8 Diameter I.D.	2
3	301-0049	O-Ring	2
4	301-0015	Gear (80 tooth)	1
5	301-0013	Conduit Adapter (Optional)	1
6	301-0043	1/16 Diameter Spring Pin	2
7	301-0045	Shaft (Drive)	1
8	301-0003	Wiggler Fork	1
9	301-0052	Hub (Drive)	1
10	301-0046	Shaft - Disc Drive, Magnet	1
11	301-0004	Wiggler Drive Hub	1
12	301-0023	Terminal Block (3) Position	1
13	301-0028	Reed Switch	1
14	301-0079	Vent Assembly (See Note 3)	1
15	301-0010	Retaining Ring	1
16	301-0032	Standoff	2
17	301-0029-1	Magnet (2 pole)	1
18	301-0024	Wire Clamp	1
19	301-0014	Gear (40 tooth)	1
20	301-0089	Label Wire I.D.	1
21	301-0012	Heyco Cordgrip Assembly	1
22	301-0086	Model/Serial Number Label	1
23	301-0085	Screw, Pan Head 4-40 X 3/8	2
24	301-0034	Screw, Pan Head 4-40 X 7/8	2
25	301-0036	Screw, Pan Head 8-32 X 5/16	1
26	301-0044	Setscrew 4-40 X 3/16	3
27	301-0025	Setscrew 2-56 X 1/8	2
28	301-0007	Plain Bearing 1/8 Diameter I.D.	1
29	301-0058	# 4 Flat Washer	2
30	301-0031	Delrin Hub	1
Note 1	301-0029	Sold as an assembly consists of parts(s) 301-0031, 301-0029-1, 301-0044	
Note 2	301-0048	Sold as an assembly / consists of parts(s) 301-0003, 301-0004, 301-0044	
Note 3	301-0079	Sold as an assembly / consists of parts(s) 301-0079-1 & 301-0079-2	
Note 4	301-0042	Sold as an assembly / consists of parts(s) 301-0043, 301-0052, 301-0044	

<p><b>PROPRIETARY AND CONFIDENTIAL</b></p> <p>THE INFORMATION CONTAINED IN THIS DRAWING IS THE SOLE PROPERTY OF &lt;INSERT COMPANY NAME HERE&gt;. ANY REPRODUCTION IN PART OR AS A WHOLE WITHOUT THE WRITTEN PERMISSION OF &lt;INSERT COMPANY NAME HERE&gt; IS PROHIBITED.</p>			<p>DIMENSIONS ARE IN INCHES</p> <p>TOLERANCES:</p> <p>FRACTIONAL ±</p> <p>ANGULAR: MACH ± BEND ±</p> <p>TWO PLACE DECIMAL ±</p> <p>THREE PLACE DECIMAL ±</p>	NAME	DATE	<h1>Pulsimatic 1 Pulse/Rev Bill of Material</h1>
				DRAWN		
				CHECKED		
				ENG APPR.		
				MFG APPR.		
				Q.A.		
				COMMENTS:		
	NEXT ASSY	USED ON	FINISH			
	APPLICATION		DO NOT SCALE DRAWING			

SIZE **A** DWG. NO. **300-2P-1** REV.

SCALE: 1:1 WEIGHT: SHEET 3 OF 8

ITEM NO.	PART NUMBER	DESCRIPTION	QTY.
1	301-0002	Pulsimactic Housing (Machined)	1
2	301-0006	Bearing Flange 1/8 Diameter I.D.	2
3	301-0049	O-Ring	2
4	301-0016	Gear (Large 60 tooth)	1
5	301-0013	Conduit Adapter (Optional)	1
6	301-0043	1/16 Diameter Spring Pin	2
7	301-0045	Shaft (Drive)	1
8	301-0003	Wiggler Fork	1
9	301-0052	Hub (Drive)	1
10	301-0046	Shaft - Disc Drive, Magnet	1
11	301-0004	Wiggler Drive Hub	1
12	301-0023	Terminal Block (3) Position	1
13	301-0028	Reed Switch	1
14	301-0079	Vent Assembly (See Note 3)	1
15	301-0010	Retaining Ring	1
16	301-0032	Standoff	2
17	301-0029-1	Magnet (2 Pole)	1
18	301-0024	Wire Clamp	1
19	301-0016	Gear (Large 60 tooth)	1
20	301-0089	Label Wire I.D.	1
21	301-0012	Heyco Cordgrip Assembly	1
22	301-0086	Model/Serial Number Label	1
23	301-0085	Screw, Pan Head 4-40 X 3/8	2
24	301-0034	Screw, Pan Head 4-40 X 7/8	2
25	301-0036	Screw, Pan Head 8-32 X 5/16	1
26	301-0044	Setscrew 4-40 X 3/16	3
27	301-0025	Setscrew 2-56 X 1/8	2
28	301-0007	Plain Bearing 1/8 Diameter I.D.	1
29	301-0058	# 4 Flat Washer	2
30	301-0031	Delrin Hub	1
Note 1	301-0029	Sold as an assembly / consists of parts(s) 301-0031, 301-0029-1, 301-0044	X
Note 2	301-0048	Sold as an assembly / consists of parts(s) 301-0003, 301-0004, 301-0044	
Note 3	301-0079	Sold as an assembly / consists of parts(s) 301-0079-1 & 301-0079-2	
Note 4	301-0042	Sold as an assembly / consists of parts(s) 301-0043, 301-0052, 301-0044	

**PROPRIETARY AND CONFIDENTIAL**  
 THE INFORMATION CONTAINED IN THIS DRAWING IS THE SOLE PROPERTY OF <INSERT COMPANY NAME HERE>. ANY REPRODUCTION IN PART OR AS A WHOLE WITHOUT THE WRITTEN PERMISSION OF <INSERT COMPANY NAME HERE> IS PROHIBITED.

		DIMENSIONS ARE IN INCHES TOLERANCES: FRACTIONAL ± ANGULAR: MACH ± BEND ± TWO PLACE DECIMAL ± THREE PLACE DECIMAL ±		NAME	DATE
		MATERIAL		DRAWN	
		FINISH		CHECKED	
NEXT ASSY	USED ON			ENG APPR.	
				MFG APPR.	
				Q.A.	
				COMMENTS:	
APPLICATION		DO NOT SCALE DRAWING			

# Pulsimatic 2 Pulse/Rev Bill of Material

SIZE <b>A</b>	DWG. NO. 300-2P-2	REV.
SCALE: 1:1	WEIGHT:	SHEET 4 OF 8

ITEM NO.	PART NUMBER	DESCRIPTION	QTY.
1	301-0002	Pulsimactic Housing (Machined	1
2	301-0006	Bearing Flange 1/8 Diameter I.D.	2
3	301-0049	O-Ring	2
4	301-0015	Gear (80 tooth)	1
5	301-0013	Conduit Adapter (Optional)	1
6	301-0043	1/16 Diameter Spring Pin	2
7	301-0045	Shaft (Drive)	1
8	301-0003	Wiggler Fork	1
9	301-0052	Hub (Drive)	1
10	301-0046	Shaft - Disc Drive, Magnet	1
11	301-0004	Wiggler Drive Hub	1
12	301-0023	Terminal Block (3) Position	1
13	301-0028	Reed Switch	1
14	301-0079	Vent Assembly (See Note 3)	1
15	301-0010	Retaining Ring	1
16	301-0032	Standoff	2
17	301-0047	Magnet (10 Pole)	1
18	301-0024	Wire Clamp	1
19	301-0014	Gear (40 tooth)	1
20	301-0089	Label Wire I.D.	1
21	301-0012	Heyco Cordgrip Assembly	1
22	301-0086	Model/Serial Number Label	1
23	301-0085	Screw, Pan Head 4-40 X 3/8	2
24	301-0034	Screw, Pan Head 4-40 X 7/8	2
25	301-0036	Screw, Pan Head 8-32 X 5/16	1
26	301-0044	Setscrew 4-40 X 3/16	3
27	301-0025	Setscrew 2-56 X 1/8	2
28	301-0007	Plain Bearing 1/8 Diameter I.D.	1
29	301-0058	# 4 Flat Washer	2
30	301-0031	Delrin Hub	1
Note 1	301-0030	Sold as an assembly / consists of parts(s) 301-0031, 301-0047, 301-0044	X
Note 2	301-0048	Sold as an assembly / consists of parts(s) 301-0003, 301-0004, 301-0044	
Note 3	301-0079	Sold as an assembly / consists of parts(s) 301-0079-1 & 301-0079-2	
Note 4	301-0042	Sold as an assembly / consists of parts(s) 301-0043, 301-0052, 301-0044	

<p><b>PROPRIETARY AND CONFIDENTIAL</b></p> <p>THE INFORMATION CONTAINED IN THIS DRAWING IS THE SOLE PROPERTY OF &lt;INSERT COMPANY NAME HERE&gt;. ANY REPRODUCTION IN PART OR AS A WHOLE WITHOUT THE WRITTEN PERMISSION OF &lt;INSERT COMPANY NAME HERE&gt; IS PROHIBITED.</p>			DIMENSIONS ARE IN INCHES TOLERANCES: FRACTIONAL ± ANGULAR: MACH ± BEND ± TWO PLACE DECIMAL ± THREE PLACE DECIMAL ±	NAME	DATE	<h1 style="margin: 0;">Pulsimatic 5 Pulse/Rev Bill of Material</h1>	
			MATERIAL	DRAWN			SIZE <b>A</b> DWG. NO. <b>300-10P-5</b> REV.
			FINISH	CHECKED			
				ENG APPR.			
	NEXT ASSY	USED ON		MFG APPR.		SCALE: 1:1	
	APPLICATION		DO NOT SCALE DRAWING	Q.A.		WEIGHT:	
				COMMENTS:		SHEET 5 OF 8	

ITEM NO.	PART NUMBER	DESCRIPTION	QTY.
1	301-0002	Pulsimactic Housing (Machined	1
2	301-0006	Bearing Flange 1/8 Diameter I.D.	2
3	301-0049	O-Ring	2
4	301-0016	Gear (60 tooth)	1
5	301-0013	Conduit Adapter (Optional)	1
6	301-0043	1/16 Diameter Spring Pin	2
7	301-0045	Shaft (Drive)	1
8	301-0003	Wiggler Fork	1
9	301-0052	Hub (Drive)	1
10	301-0046	Shaft - Disc Drive, Magnet	1
11	301-0004	Wiggler Drive Hub	1
12	301-0023	Terminal Block (3) Position	1
13	301-0028	Reed Switch	1
14	301-0079	Vent Assembly (See Note 3)	1
15	301-0010	Retaining Ring	1
16	301-0032	Standoff	2
17	301-0047	Magnet (10 pole)	1
18	301-0024	Wire Clamp	1
19	301-0016	Gear (60 tooth)	1
20	301-0089	Label Wire I.D.	1
21	301-0012	Heyco Cordgrip Assembly	1
22	301-0086	Model/Serial Number Label	1
23	301-0085	Screw, Pan Head 4-40 X 3/8	2
24	301-0034	Screw, Pan Head 4-40 X 7/8	2
25	301-0036	Screw, Pan Head 8-32 X 5/16	1
26	301-0044	Setscrew 4-40 X 3/16	3
27	301-0025	Setscrew 2-56 X 1/8	2
28	301-0007	Plain Bearing 1/8 Diameter I.D.	1
29	301-0058	# 4 Flat Washer	2
30	301-0031	Delrin Hub	1
Note 1	301-0030	Sold as an assembly / consists of parts(s) 301-0031, 301-0047, 301-0044	X
Note 2	301-0048	Sold as an assembly / consists of parts(s) 301-0003, 301-0004, 301-0044	
Note 3	301-0079	Sold as an assembly / consists of parts(s) 301-0079-1 & 301-0079-2	
Note 4	301-0042	Sold as an assembly / consists of parts(s) 301-0043, 301-0052, 301-0044	

**PROPRIETARY AND CONFIDENTIAL**  
 THE INFORMATION CONTAINED IN THIS DRAWING IS THE SOLE PROPERTY OF <INSERT COMPANY NAME HERE>. ANY REPRODUCTION IN PART OR AS A WHOLE WITHOUT THE WRITTEN PERMISSION OF <INSERT COMPANY NAME HERE> IS PROHIBITED.

		DIMENSIONS ARE IN INCHES TOLERANCES: FRACTIONAL ± ANGULAR: MACH ± BEND ± TWO PLACE DECIMAL ± THREE PLACE DECIMAL ±		NAME	DATE
		MATERIAL		DRAWN	
		FINISH		CHECKED	
NEXT ASSY	USED ON			ENG APPR.	
APPLICATION		DO NOT SCALE DRAWING		MFG APPR.	
				Q.A.	
				COMMENTS:	

# Pulsimatic 10 Pulse/Rev Bill of Material

SIZE <b>A</b>	DWG. NO. 300-10P-10	REV.
SCALE: 1:1	WEIGHT:	SHEET 6 OF 8



ITEM NO.	PART NUMBER	DESCRIPTION	QTY.
1	301-0002	Pulsimactic Housing (Machined	1
2	301-0006	Bearing Flange 1/8 Diameter I.D.	2
3	301-0049	O-Ring	2
4	301-0017	Gear (20 tooth)	1
5	301-0013	Conduit Adapter (Optional)	1
6	301-0043	1/16 Diameter Spring Pin	2
7	301-0045	Shaft (Drive)	1
8	301-0003	Wiggler Fork	1
9	301-0052	Hub (Drive)	1
10	301-0046	Shaft - Disc Drive, Magnet	1
11	301-0004	Wiggler Drive Hub	1
12	301-0023	Terminal Block (3) Position	1
13	301-0028	Reed Switch	1
14	301-0079	Vent Assembly (See Note 3)	1
15	301-0010	Retaining Ring	1
16	301-0032	Standoff	2
17	301-0047	Magnet (10 pole)	1
18	301-0024	Wire Clamp	1
19	301-0018	Gear (100 tooth)	1
20	301-0089	Label Wire I.D.	1
21	301-0012	Heyco Cordgrip Assembly	1
22	301-0086	Model/Serial Number Label	1
23	301-0085	Screw, Pan Head 4-40 X 3/8	2
24	301-0034	Screw, Pan Head 4-40 X 7/8	2
25	301-0036	Screw, Pan Head 8-32 X 5/16	1
26	301-0044	Setscrew 4-40 X 3/16	3
27	301-0025	Setscrew 2-56 X 1/8	2
28	301-0007	Plain Bearing 1/8 Diameter I.D.	1
29	301-0058	# 4 Flat Washer	2
30	301-0031	Delrin Hub	1
Note 1	301-0030	Sold as an assembly / consists of parts(s) 301-0031, 301-0047 301-0044	X
Note 2	301-0048	Sold as an assembly / consists of parts(s) 301-0003, 301-0004, 301-0044	
Note 3	301-0079	Sold as an assembly / consists of parts(s) 301-0079-1 & 301-0079-2	
Note 4	3301-0042	Sold as an assembly / consists of parts(s) 301-0043, 301-0052, 301-0044	

<p><b>PROPRIETARY AND CONFIDENTIAL</b></p> <p>THE INFORMATION CONTAINED IN THIS DRAWING IS THE SOLE PROPERTY OF &lt;INSERT COMPANY NAME HERE&gt;. ANY REPRODUCTION IN PART OR AS A WHOLE WITHOUT THE WRITTEN PERMISSION OF &lt;INSERT COMPANY NAME HERE&gt; IS PROHIBITED.</p>			DIMENSIONS ARE IN INCHES TOLERANCES: FRACTIONAL ± ANGULAR: MACH ± BEND ± TWO PLACE DECIMAL ± THREE PLACE DECIMAL ±	NAME	DATE	<h1>Pulsimatic 50 Pulse/Rev Bill of Material</h1>	
				DRAWN			
				CHECKED			
				ENG APPR.			
				MFG APPR.			
				Q.A.			
				COMMENTS:			
	NEXT ASSY	USED ON	FINISH				
	APPLICATION		DO NOT SCALE DRAWING				
				SIZE <b>A</b>	DWG. NO. 300-10P-50	REV.	
				SCALE: 1:1	WEIGHT:	SHEET 8 OF 8	