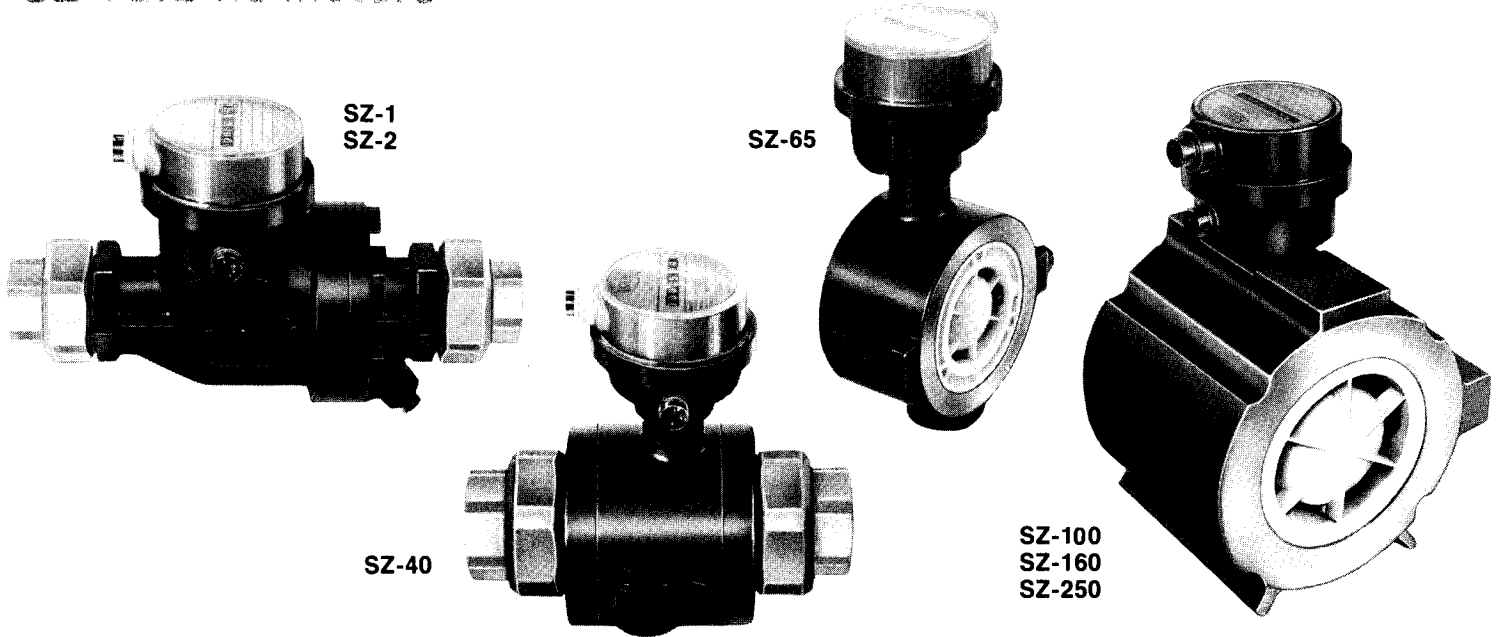


SZ Turbine Meters



Features

Lightweight, Aluminum Construction
 Maximum Working Pressure to 175 PSI
 Permanently Lubricated Bearings
 Low Frequency/High Frequency
 Pulse Outputs Standard
 Rugged Mechanical Index Rotatable
 Through 360°
 Self Supporting Line Mount Design
 Mount in Any Position

Direct Read Odometer Type Index
 Rangeability: 20-1
 Operating Temp. 0°F — +130°F
 Connections —
 1" Female NPT
 1½" Female NPT
 2" Wafer
 3" Wafer
 4" Wafer

Weight

SZ-1, SZ-2 — 4.0 lbs.
 SZ-40 — 7.0 lbs.
 SZ-65 — 3.0 lbs.
 SZ-100, SZ-160, — 9.0 lbs.
 SZ-250 — 12.5 lbs.

Recommended for indoor application.

2", 3" and 4" — Wafer style for installation between ANSI 150 flanges

Rated Capacity (SCFH) at Operating Pressure

Pressure PSI	SZ-1	SZ-2	SZ-40	SZ-65	SZ-100	SZ-160	SZ-250
4oz.	900	1500	2300	3500	5600	8800	14000
2	1020	1700	2610	3975	6360	9990	15900
5	1200	2000	3080	4690	7500	11795	18760
10	1500	2500	3860	5880	9410	14785	23520
15	1820	3000	4650	7070	11315	17780	29290
20	2125	3540	5430	8260	13220	20770	33050
25	2430	4050	6210	9450	15125	23765	37810
30	2735	4560	7000	10640	17030	26760	42570
40	3350	5580	8560	13025	20840	32750	52095
50	3950	6600	10120	15400	24650	38730	61620
60	4560	7620	11690	17790	28450	44720	71140
75	5550	9150	14035	21350	34170	53700	85430
100	7000	11700	17950	27310	43700	68670	109240
125	8540	14250	21800	33260	53220	83630	133050
150	10060	16800	25760	39210	62740	98600	156860
175	11600	19350	29680	45160	72270	113560	180670

Dimension Data

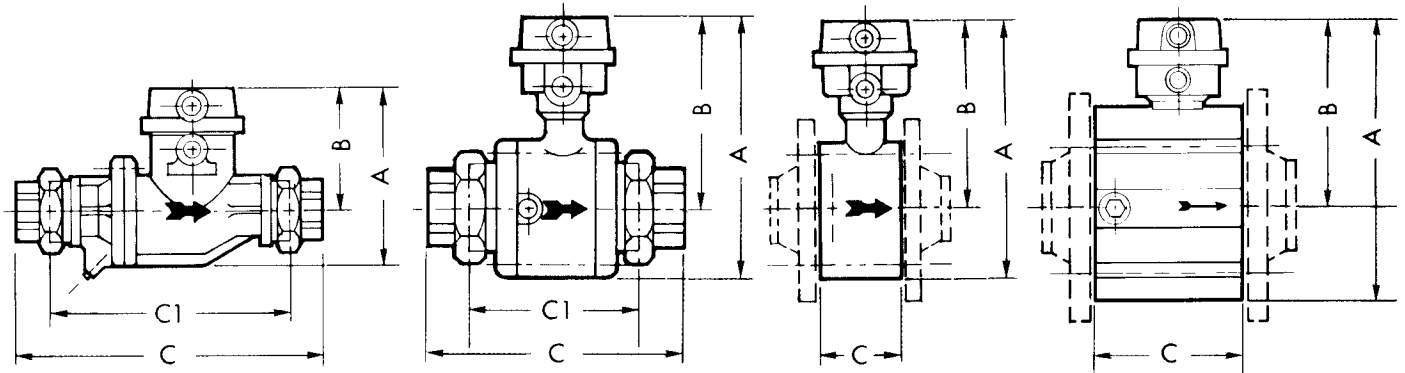


Fig. 1

Fig. 2

Fig. 3

Fig. 4

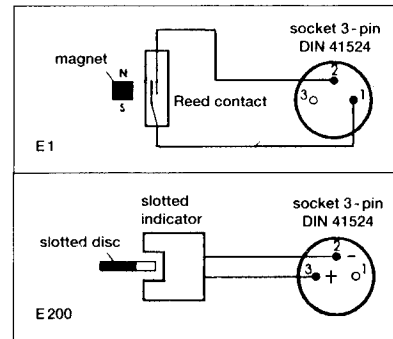
Pressure Drop at Capacity

MODEL	FIG.	PIPE SIZE/CONNECTION	C	C1	A	B	INCHES, WATER COLUMN	m Bar
SZ-1	1	1" FNPT	9.5"	7.37"	5.37"	3.62"	.9	2.2
SZ-2	1	1" FNPT	9.5"	7.37"	5.37"	3.62"	2.2	5.5
SZ-40	2	1½" FNPT	7.5"	5.0"	7.87"	5.5"	2.4	6.0
SZ-65	3	2" ANSI 150 WAFER	2.36"	—	7.87"	5.5"	4.8	12.0
SZ-100	4	3" ANSI 150 WAFER	4.75"	—	8¾"	6.0"	2.6	6.5
SZ-160	4	3" ANSI 150 WAFER	4.75"	—	8¾"	6.0"	5.6	14.0
SZ-250	4	4" ANSI 150 WAFER	5.91"	—	9¾"	6.0"	3.2	8.0

Pulse Output Data

Model No.	Low Frequency E1 Form "A" Reed Switch Cubic Feet/Pulse	High Frequency E200 Proximity Sensor Pulses/Cubic Feet
SZ-1	1	500
SZ-2	1	500
SZ-40	10	25
SZ-65	10	25
SZ-100	100	2.5
SZ-160	100	2.5
SZ-250	100	2.5

Technical Data



E1 (series) reed contact

Max. Voltage: 24 Vdc
 Max. Current: 50 mA
 Max. Capacity: .25 Watts

E200 pulser

Standard Voltage:
 $U_n = 8VDC$
 current consumption:
 active surface open
 $I \geq 3mA$
 active surface closed
 $I \leq 1mA$

Models SZ-65 to SZ-250

The accuracy curve illustrates that the error over the maximum capacity range is within guaranteed limits. An increase of density—e.g. higher line pressure—does not change the accuracy.

