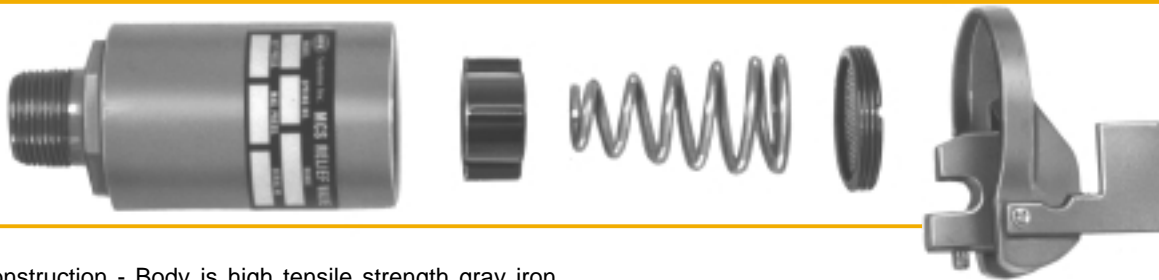
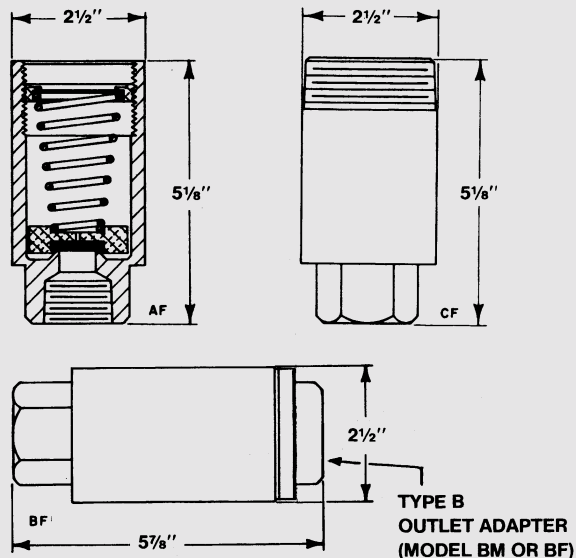


IMAC MCS RELIEF VALVE



Rugged construction - Body is high tensile strength gray iron ASTM A 126-66 Class B for standard models. Cast ductile iron ASTM A-445-66 material is also available. Seat discs are Buna N permanently bonded to the seat disc holder. The seat disc holder is die cast aluminum, and the adjusting screw is machined aluminum. Both are black anodized for corrosion protection. The relief spring is 302 Stainless Steel. A stainless steel screen is provided for protection against bugs and other foreign matter. All springs snap-fit into adjusting screw for ease of assembly.

DIMENSIONS



MODELS

Model Number	Inlet Connection	Outlet Connection
AF	3/4" & 1" FPT	None
AM	3/4" & 1" MPT	None
BF	3/4" & 1" FPT	1" FPT
BM	3/4" & 1" MPT	1" FPT
CF	3/4" & 1" FPT	2" MPT
CM	3/4" & 1" MPT	2" MPT

CAPACITY DATA

Spring Number	Range		Set Pressure		Maximum Flowing Pressure		Capacity	
	PSIG	BAR	PSIG	BAR	PSIG	BAR	CFH	M ³ H
106-0	.5- 1.0	.04- .07	1.0	.07	2.0	.14	3500	100
106-A	1.0- 5.0	.07- .35	5.0	.35	6.0	.41	8000	225
106-B	5.0- 10.0	.35- .69	10.0	.69	20.0	1.38	15000	425
106	10.0- 25.0	.69- 1.72	25.0	1.72	50.0	3.45	28000	795
106- 1	25.0- 35.0	1.72- 2.41	35.0	2.41	60.0	4.13	32500	920
106- 2	35.0- 50.0	2.41- 3.45	50.0	3.45	75.0	5.17	39000	1105
106- 3	50.0- 60.0	3.45- 4.13	60.0	4.13	80.0	5.51	41000	1160
106- 4	60.0- 75.0	4.13- 5.17	75.0	5.17	100.0	6.89	48000	1360
106- 5	75.0-100.0	5.17- 6.89	100.0	6.89	125.0	8.61	60400	1710
106- 6	100.0-175.0	6.89-12.06	175.0	12.06	200.0	13.78	92800	2630
106- 9	175.0-200.0	12.06-13.78	200.0	13.78	225.0	15.50	103600	2935
106-10	200.0-300.0	13.78-20.67	300.0	20.67	325.0	22.39	146900	4160

All models are available with either female or male inlet connections (see above table).

Follin Flo-Controls

www.FollinFlo-Controls.com