

Submittal

Model: NORVAL Regulator

Description: NORVAL pressure regulators are direct acting balanced valve devices for low and medium pressure, controlled by a diaphragm and spring. They use an external sensing line with a unique “pressure snubber” to assure extremely accurate regulation without risk of hunting or pulsations. These regulators are suitable for use with filtered, non corrosive gases.



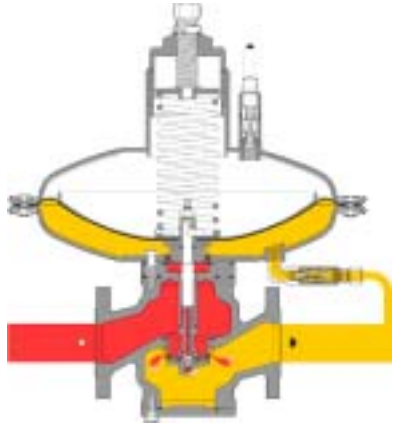
General Specifications

Design pressure: up to 275 PSI (16 bar)
 Operating temperature: -4°F to 140 °F (-20 °C to +60 °C)
 Ambient temperature: : -4°F to 140 °F (-20 °C to +60 °C)
 Max. Inlet pressure (Pemax): . 232 PSIG (16 bar) for DN 1 " to 3 "
 116 PSIG (8 bar) for DN 4 " to 8 "

Range of outlet pressure Wh.: 3.2" w.c. to 63 PSIG (8 to 4400 mbar) for DN 1 " to 4 "
 4.8" w.c. to 26 PSIG (12 to 1800 mbar) per DN 6 " to 8 "
 Available size DN:1 " --1 "1/4 -1 "1/2 -2 " --2 "1/2 -3 " --4 " --6 " --8 "
 Flanging: ANSI 150 RF according to ANSI B16.5
 PN16 according to ISO 7005.

Materials:

Body: Cast Steel (ASTM A 216 WBC)
 Head Cover: Drop-forged Carbon Steel
 Diaphragm: Rubberized Canvas
 Valve Seat: Steel
 Seals: Nitrile



Capacity and Sizing:

Capacity varies as a function of the Inlet pressure and desired outlet pressure. Consult tables or contact us for specific sizing assistance. The size diaphragm and general range associated with that case are listed below.

Size	Diaphragm Case Size (mm)					
	ø 817	ø 658	ø 630	ø 495	ø 375	ø 375TR
1"				5" WC - 1.2	1- 16 PSI	13 - 64 PSI
2"				5" WC - 1.2	1- 16 PSI	13 - 64 PSI
3"			3" WC - 1.2	1- 8 PSI	7- 40 PSI	13 - 64 PSI
4"			4" WC - 1.2	1- 8 PSI	7- 40 PSI	13 - 64 PSI
6"	5" WC - 1	1- 6 PSI	3- 9 PSI	6- 26 PSI		
8"	5" WC - 1	1- 6 PSI	3- 9 PSI	6- 26 PSI		
	PSI					

For Sales & Service Contact:

41 Magnolia Avenue
 Cambridge MA 02138
 Phone: (617) 290-2134
 Fax: (240) 250-8907

Follin Flo-Controls
www.FollinFlo-Controls.com
sales@FollinFlo-Controls.com

Doc. Ref: v. 1

5 Heritage Hill Rd.
 Norwalk, CT 06851
 Phone: (203) 845-0593
 Fax: (203) 846-3825

Weights & Dimensions

NORVAL with slam-shut I-N

NORVAL with slam-shut I-N and monitor

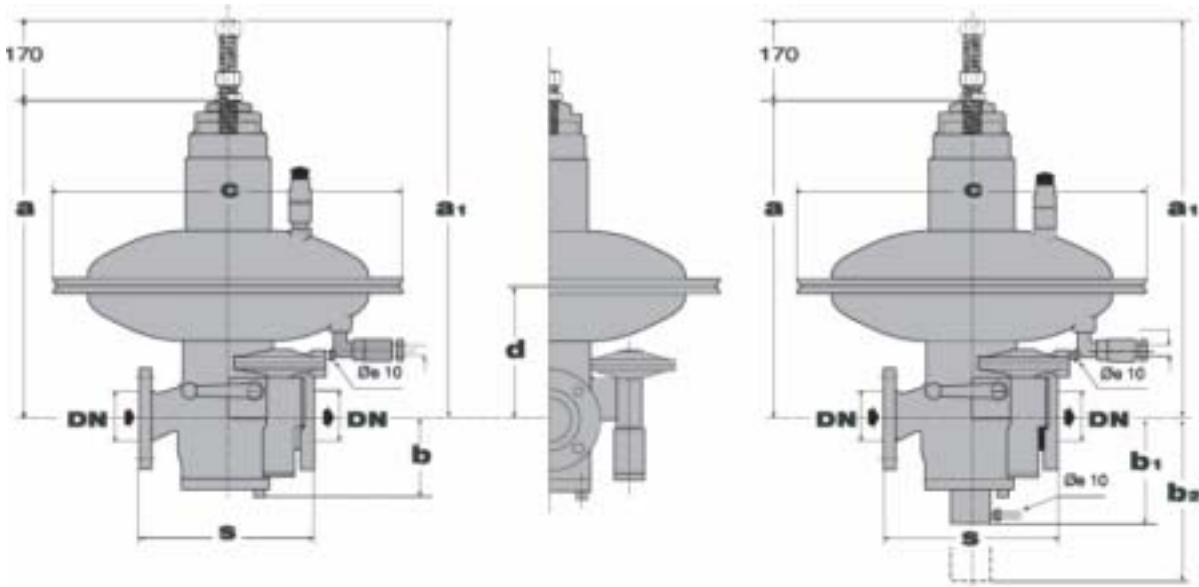


Fig. 4

Tab. 6

Size in inches	C				ø 817			ø 658			ø 630			ø 495			ø 375			ø 375TR		
	S*	b	b1	b2	a	a1	d	a	a1	d	a	a1	d	a	a1	d	a	a1	d	a	a1	d
1	7	4	8	10										18	25	7	16	23	6	16.74	23.5	6
2	10	4.75	8.66	10.5										19	25	7.5	17	24	6.5	17.5	24	7
3	11.75	5.5	9.5	11.5							21.25	28	8.66	23.5	26	8.25	18	25	7.5	18	25	8
4	14	7	11	13							25	32	12	23.5	30	12	22	28.5	11	22.25	29	11
6	17.75	8.66	12.5	14.5	30	36.5	15.75	28.33	35	15	26.5	33.25	15	26.5	33	14.75						
8	21	10.25	14	16.34	40.5	19.75	32.25	39	19	30.5	37	19.30	37		18.75							

Weight in Pounds

Body Size in Inches	1"	2"	3"	4"	6"	8"
Norval	93	110	203	267	454	642
Norval with slam-shut/IN	104	121	214	278	465	653
Norval with monitor	106	128	220	284	476	665
Norval with slam-shut/IN and monitor	117	139	231	295	487	677

For Sales & Service Contact:

41 Magnolia Avenue
 Cambridge MA 02138
 Phone: (617) 290-2134
 Fax: (240) 250-8907

Follin Flo-Controls
www.FollinFlo-Controls.com
sales@FollinFlo-Controls.com

Doc. Ref: v. 1

5 Heritage Hill Rd.
 Norwalk, CT 06851
 Phone: (203) 845-0593
 Fax: (203) 846-3825