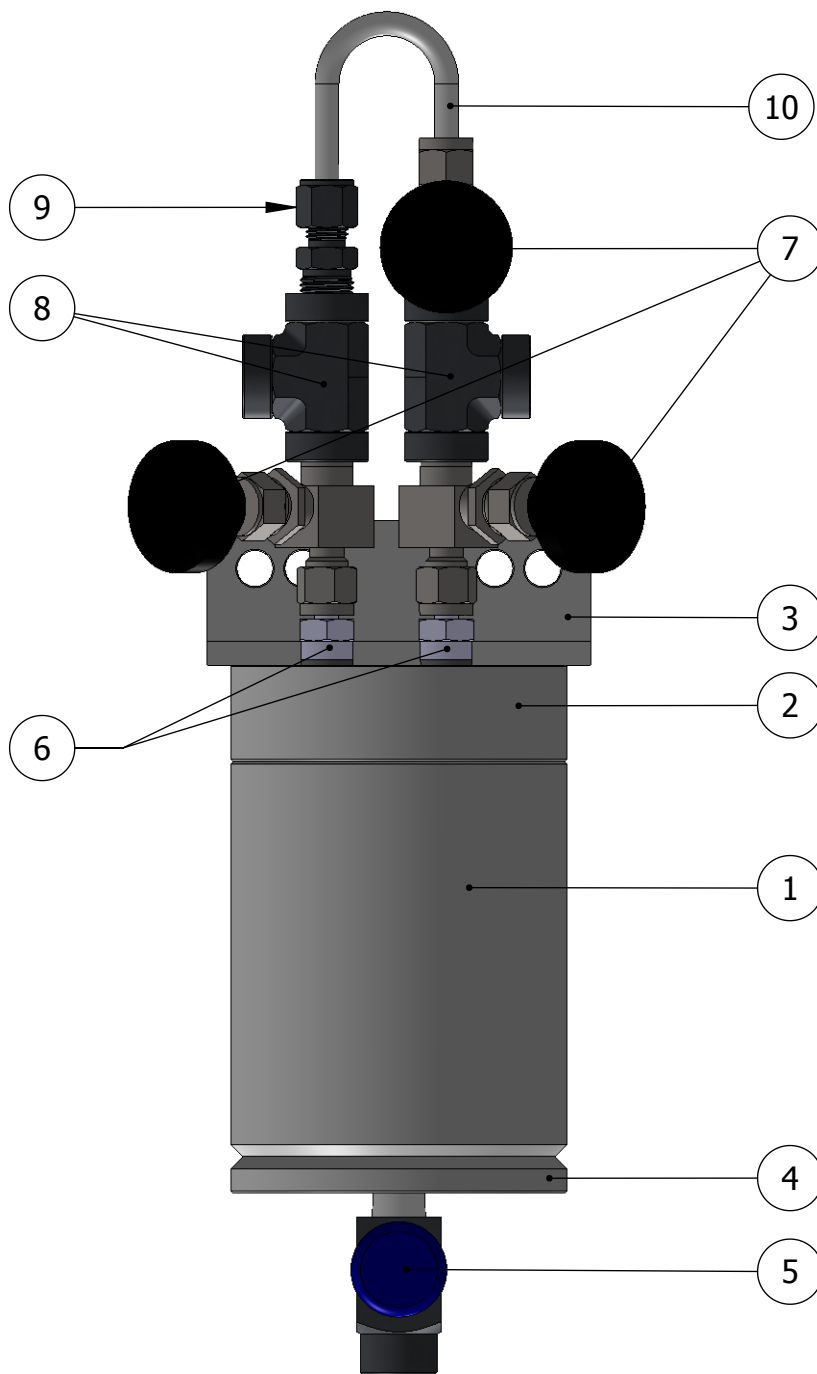


REVISIONS			
REV.	DESCRIPTION	DATE	APPROVED



PROPRIETARY AND CONFIDENTIAL
 THE INFORMATION CONTAINED IN THIS DRAWING IS THE SOLE PROPERTY OF IMAC SYSTEMS INC. ANY REPRODUCTION IN PART OR AS A WHOLE WITHOUT THE WRITTEN PERMISSION OF IMAC SYSTEMS INC. IS PROHIBITED.

		DIMENSIONS ARE IN INCHES TOLERANCES: FRACTIONAL $\pm 1/32$ ANGULAR: MACH $\pm 1/2^\circ$ BEND $\pm 1/16$ TWO PLACE DECIMAL $\pm .010$ THREE PLACE DECIMAL $\pm .005$
		MATERIAL See Components
NEXT ASSY	USED ON	FINISH See Components
APPLICATION		DO NOT SCALE DRAWING

	NAME	DATE
DRAWN	TH	5/4/11
CHECKED	JG	5/4/11
ENG APPR.		
MFG APPR.		
Q.A.		
COMMENTS:		

FollinFlo-Controls
 41 Magnolia Avenue, Cambridge MA 02138
 www.follinfo-controls.com 1-(617) 290-2134

Title:
3 Valve Assembly

SIZE A	DWG. NO. WFD724-19BV3	REV. N/A
SCALE: 1:4	WEIGHT:	SHEET 1 OF 2