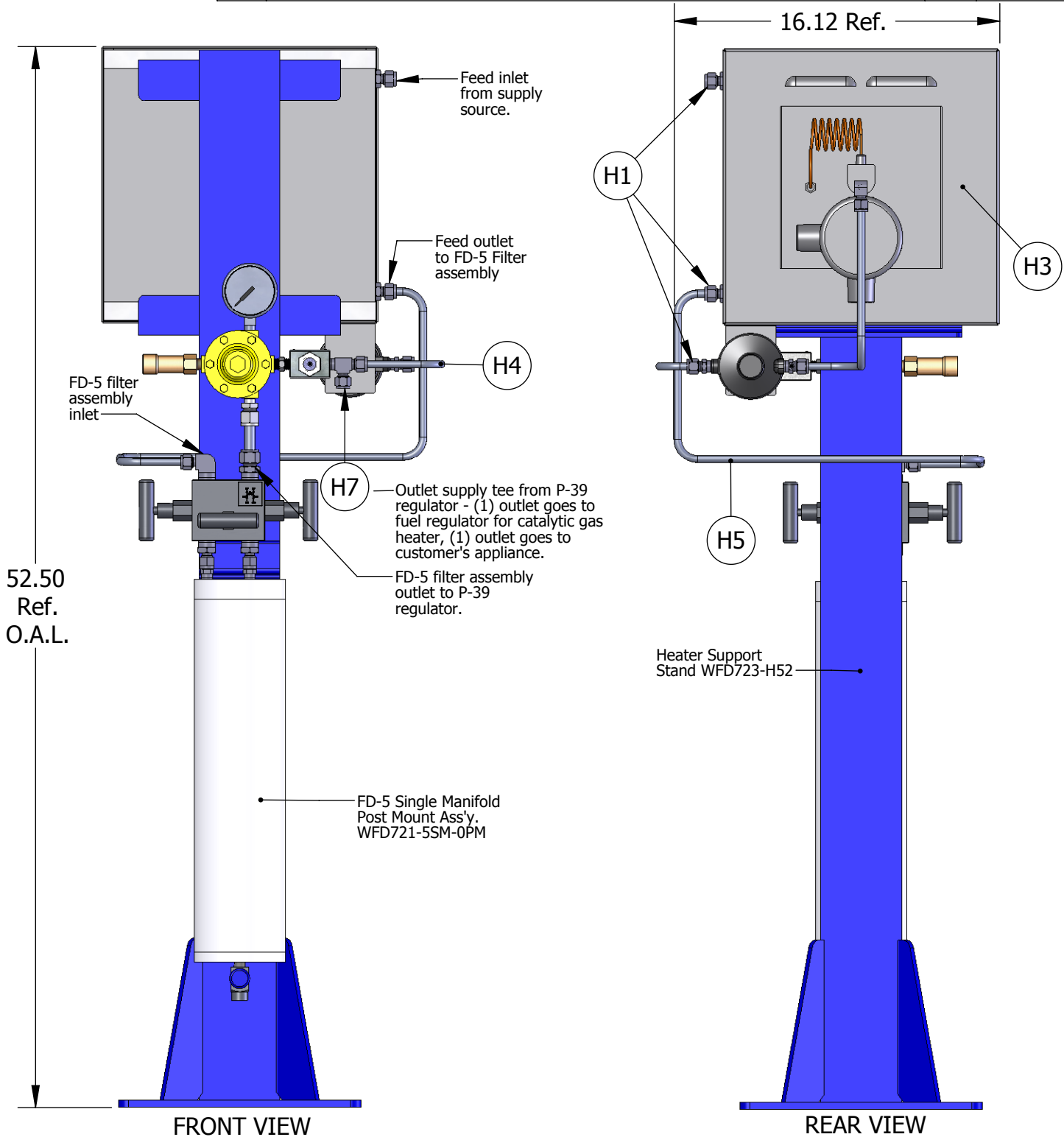


| REVISIONS | | | |
|-----------|-------------|------|----------|
| REV. | DESCRIPTION | DATE | APPROVED |



PROPRIETARY AND CONFIDENTIAL
 THE INFORMATION CONTAINED IN THIS DRAWING IS THE SOLE PROPERTY OF IMAC SYSTEMS INC. ANY REPRODUCTION IN PART OR AS A WHOLE WITHOUT THE WRITTEN PERMISSION OF IMAC SYSTEMS INC. IS PROHIBITED.

| | | |
|-------------|---------|--|
| | | DIMENSIONS ARE IN INCHES TOLERANCES: FRACTIONAL ±1/32 ANGULAR: MACH ±1/2° BEND ±1/16 TWO PLACE DECIMAL ±.010 THREE PLACE DECIMAL ±.005 |
| | | MATERIAL See Components |
| NEXT ASSY | USED ON | FINISH See Components |
| APPLICATION | | DO NOT SCALE DRAWING |

| | | |
|-----------|------|---------|
| | NAME | DATE |
| DRAWN | TH | 1/31/11 |
| CHECKED | JG | 1/31/11 |
| ENG APPR. | | |
| MFG APPR. | | |
| Q.A. | | |
| COMMENTS: | | |

FollinFlo-Controls
 41 Magnolia Avenue, Cambridge MA 02138
 www.follinfo-controls.com 1-(617) 290-2134

Title:
Catalytic Gas Heater Assembly

| | | |
|------------------|----------------------------------|--------------------|
| SIZE A | DWG. NO. WFD723-5SMCH1 | REV. N/A |
| SCALE:1:1 | WEIGHT: | SHEET 1 OF 2 |