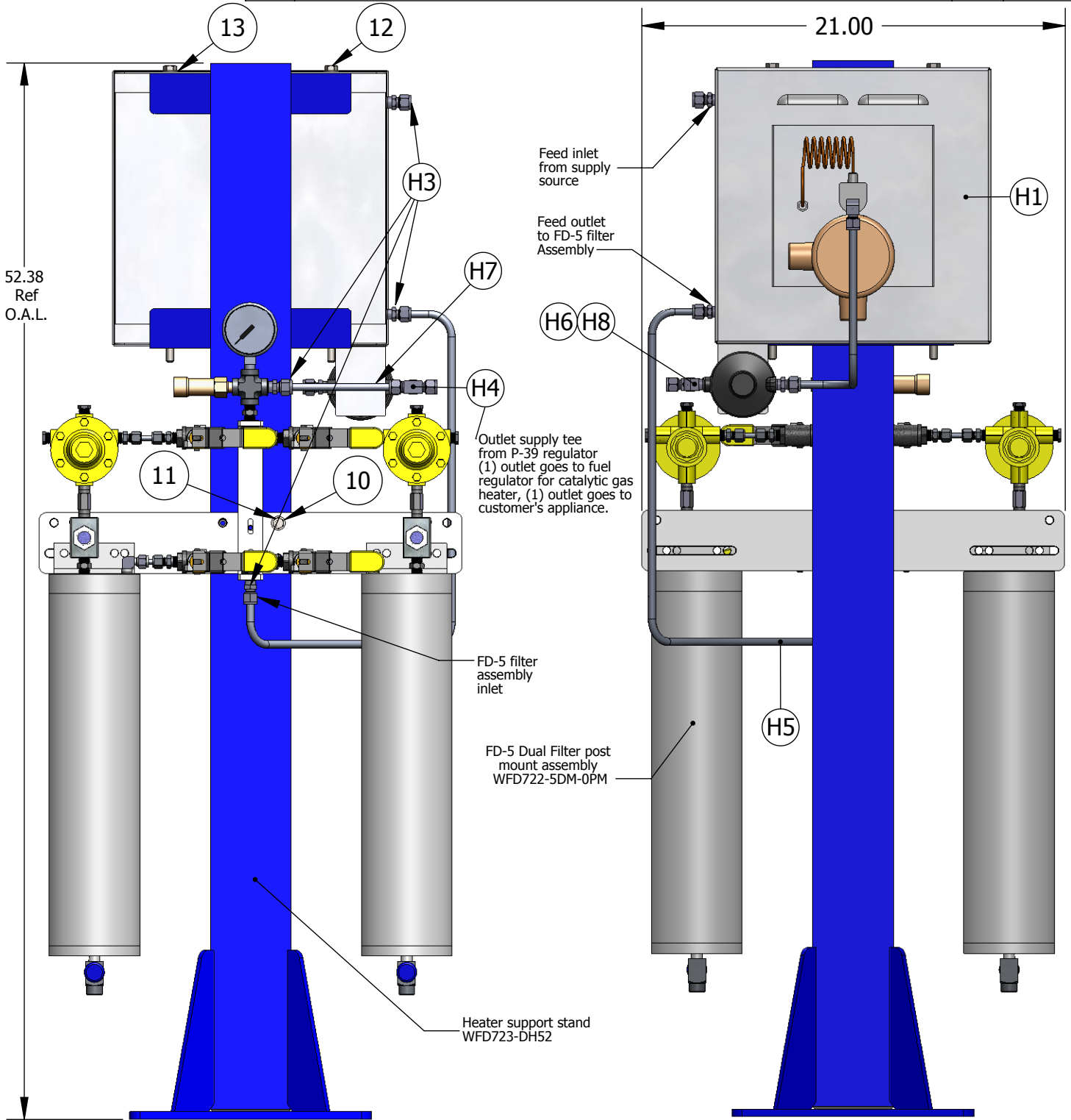


REVISIONS

REV.	DESCRIPTION	DATE	APPROVED
------	-------------	------	----------



FRONT VIEW

REAR VIEW

PROPRIETARY AND CONFIDENTIAL
 THE INFORMATION CONTAINED IN THIS DRAWING IS THE SOLE PROPERTY OF IMAC SYSTEMS INC. ANY REPRODUCTION IN PART OR AS A WHOLE WITHOUT THE WRITTEN PERMISSION OF IMAC SYSTEMS INC. IS PROHIBITED.

		DIMENSIONS ARE IN INCHES TOLERANCES: FRACTIONAL $\pm 1/32$ ANGULAR: MACH $\pm 1/2^\circ$ BEND $\pm 1/16$ TWO PLACE DECIMAL $\pm .010$ THREE PLACE DECIMAL $\pm .005$	NAME	DATE	
			DRAWN	TH	4/11/11
			CHECKED	JG	4/11/11
			ENG APPR.		
			MFG APPR.		
		MATERIAL	Q.A.		
		See Components	COMMENTS:		
NEXT ASSY	USED ON	FINISH			
		See Components			
APPLICATION		DO NOT SCALE DRAWING			

IMAC SYSTEMS INC.
 90 Main St. Tullytown, PA. 19007
 www.imacsystems.com 1-800-955-4GAS

Title: **Catalytic Gas Heater Dual Assembly**

SIZE	DWG. NO.	REV.
A	WFD723-5DMCH1	N/A

SCALE: 1:6 WEIGHT: SHEET 1 OF 4