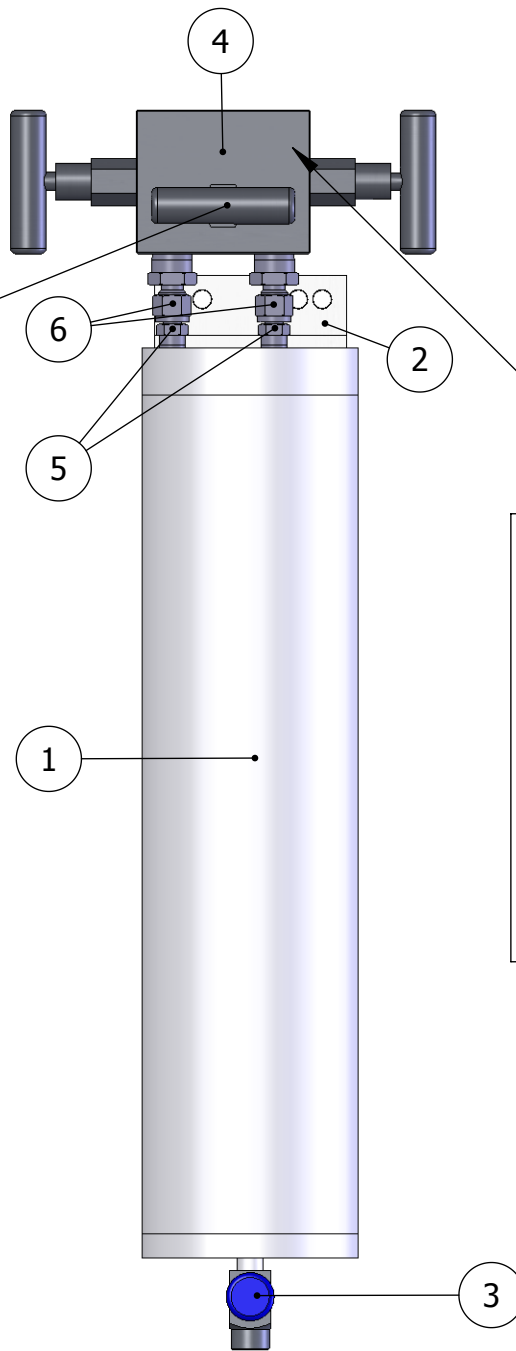
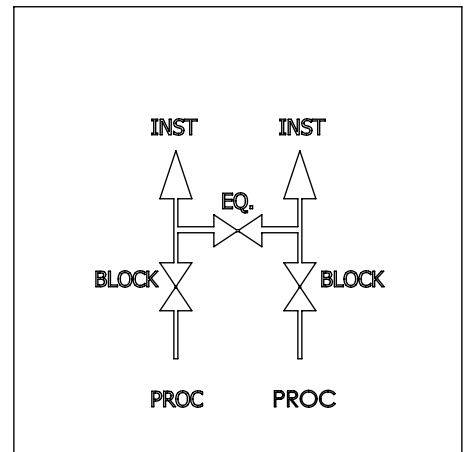


REVISIONS			
REV.	DESCRIPTION	DATE	APPROVED

Note: The equalizer control on the No-Shok and Phoenix Precision manifold differ in the physical location only, there is no difference in the operation of function.



Note: When assembling unit please refer to the schematic located on the manifold for correct hook-up (see below)



PROPRIETARY AND CONFIDENTIAL
 THE INFORMATION CONTAINED IN THIS DRAWING IS THE SOLE PROPERTY OF IMAC SYSTEMS INC. ANY REPRODUCTION IN PART OR AS A WHOLE WITHOUT THE WRITTEN PERMISSION OF IMAC SYSTEMS INC. IS PROHIBITED.

		DIMENSIONS ARE IN INCHES TOLERANCES: FRACTIONAL $\pm 1/32$ ANGULAR: MACH $\pm 1/2^\circ$ BEND $\pm 1/16$ TWO PLACE DECIMAL $\pm .010$ THREE PLACE DECIMAL $\pm .005$		NAME	DATE	FollinFlo-Controls 41 Magnolia Avenue, Cambridge MA 02138 www.follinfo-controls.com 1-(617) 290-2134 Title: Special FD-5 Single Manifold Assembly
			DRAWN	TH	10/4/11	
			CHECKED	JG	10/4/11	
			ENG APPR.			
				MFG APPR.		
		MATERIAL		Q.A.		
		See Components		COMMENTS:		
NEXT ASSY	USED ON	FINISH				SIZE DWG. NO.
		See Components				A WFD721-5SM-05
APPLICATION		DO NOT SCALE DRAWING				REV. N/A
						SCALE:1:8 WEIGHT: SHEET 1 OF 2