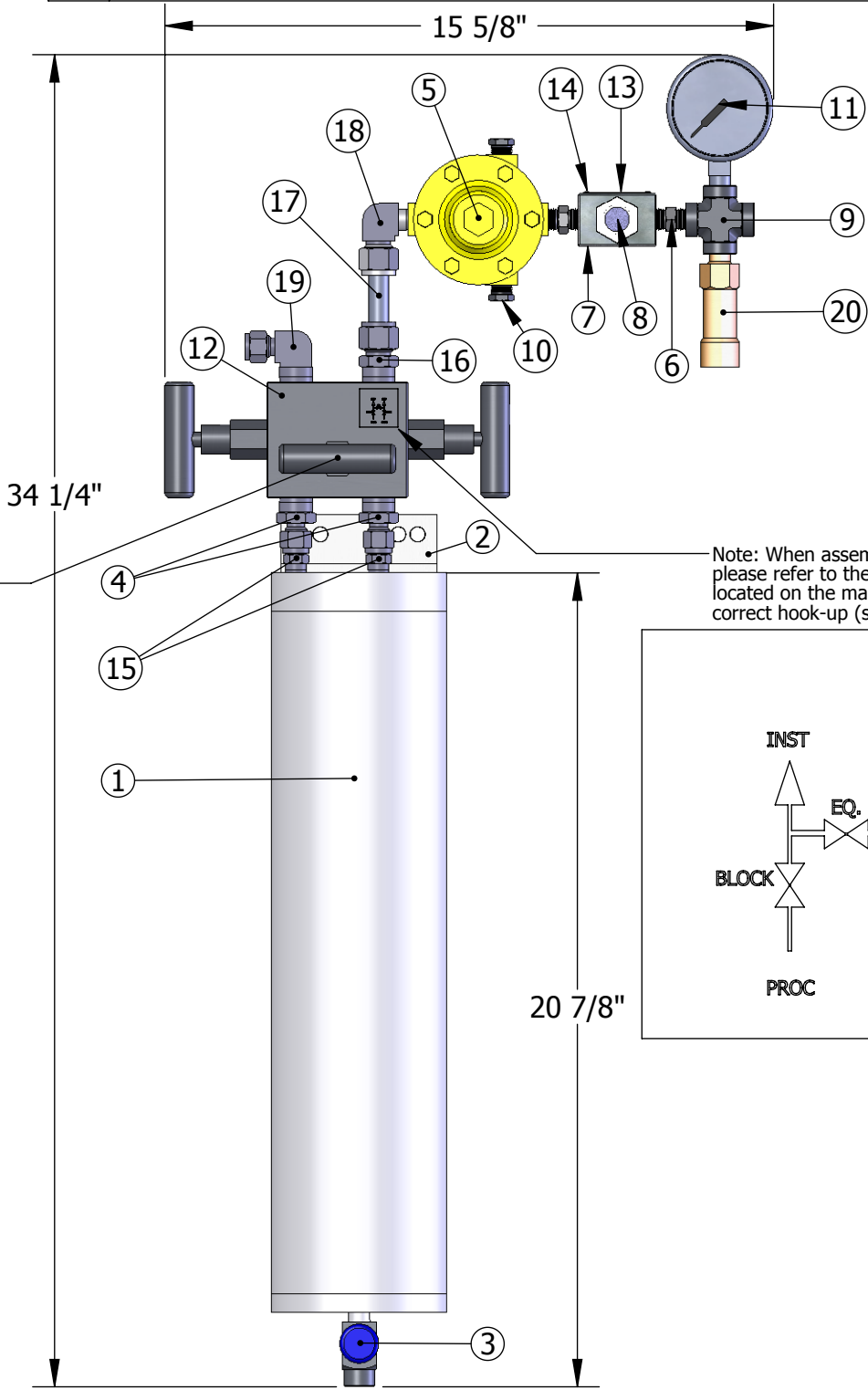
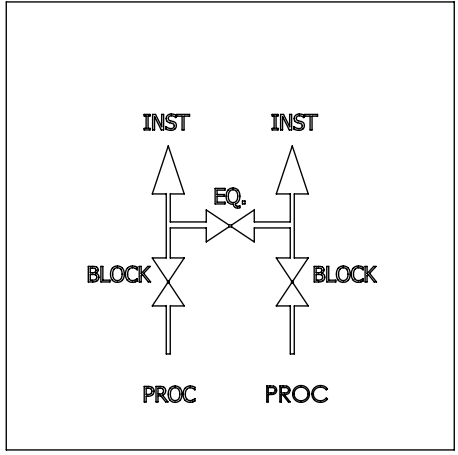


REVISIONS			
REV.	DESCRIPTION	DATE	APPROVED



Note: The equalizer control on the No-Shok and Phoenix Precision manifold differ in physical location only, there is no difference in operation or function

Note: When assembling unit please refer to the schematic located on the manifold for correct hook-up (see below)



PROPRIETARY AND CONFIDENTIAL
THE INFORMATION CONTAINED IN THIS DRAWING IS THE SOLE PROPERTY OF IMAC SYSTEMS INC. ANY REPRODUCTION IN PART OR AS A WHOLE WITHOUT THE WRITTEN PERMISSION OF IMAC SYSTEMS INC. IS PROHIBITED.

		DIMENSIONS ARE IN INCHES TOLERANCES: FRACTIONAL ±1/32 ANGULAR: MACH ±1/2° BEND ±1/16 TWO PLACE DECIMAL ±.010 THREE PLACE DECIMAL ±.005
		MATERIAL See Components
NEXT ASSY	USED ON	FINISH See Components
APPLICATION		DO NOT SCALE DRAWING

	NAME	DATE
DRAWN	AEN	12/14/10
CHECKED	JG	JG
ENG APPR.		
MFG APPR.		
Q.A.		
COMMENTS: EQT Approved		

FollinFlo-Controls 41 Magnolia Avenue www.follinfo-controls.com 1-(617) 290-2134		
DESCRIPTION: FD-5 Single Manifold Assembly Regulated-Moisture Indicator Single Output		
SIZE A	DWG. NO. WFD721-5SM-00	REV. N/A
SCALE:1:5	WEIGHT:	SHEET 1 OF 2