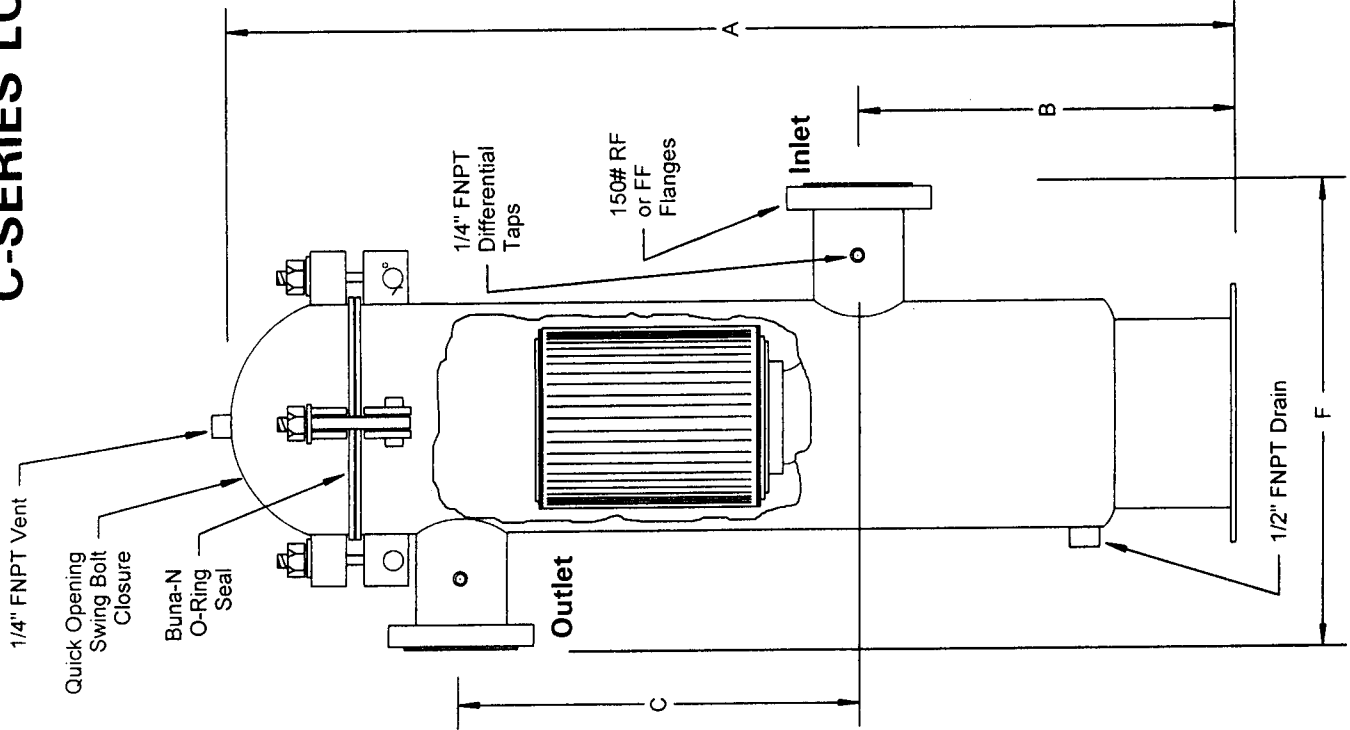


# C-SERIES LOW PRESSURE COALESCING GAS FILTERS



## DIMENSIONS

Model Number	Line Size	"A"	"B"	"C"	"F"	Sump Capacity	Replacement Filter Element
C2-180F	2"	40"	12"	18"	17"	2 gal.	#422
C3-180F	3"	50"	15"	21"	18"	3 gal.	#425
C4-180F	4"	60"	18"	29"	20"	4 gal.	#415
C6-180F	6"	71"	20"	38"	24"	10 gal.	#2034K907
C2-285F	2"	40"	12"	18"	17"	2 gal.	#422
C3-285F	3"	50"	15"	21"	18"	3 gal.	#425
C4-285F	4"	60"	18"	29"	20"	4 gal.	#415
C6-285F	6"	71"	20"	38"	24"	10 gal.	#2034K907

## COMMON SPECIFICATIONS

Pressure Rating - 180 or 285 psi, Shown in Model Number

Temperature Rating - 100°F

Material of Construction - Carbon Steel

Dwg. # \_\_\_\_\_ Rev. # \_\_\_\_\_ Dwn. By \_\_\_\_\_ App. By \_\_\_\_\_

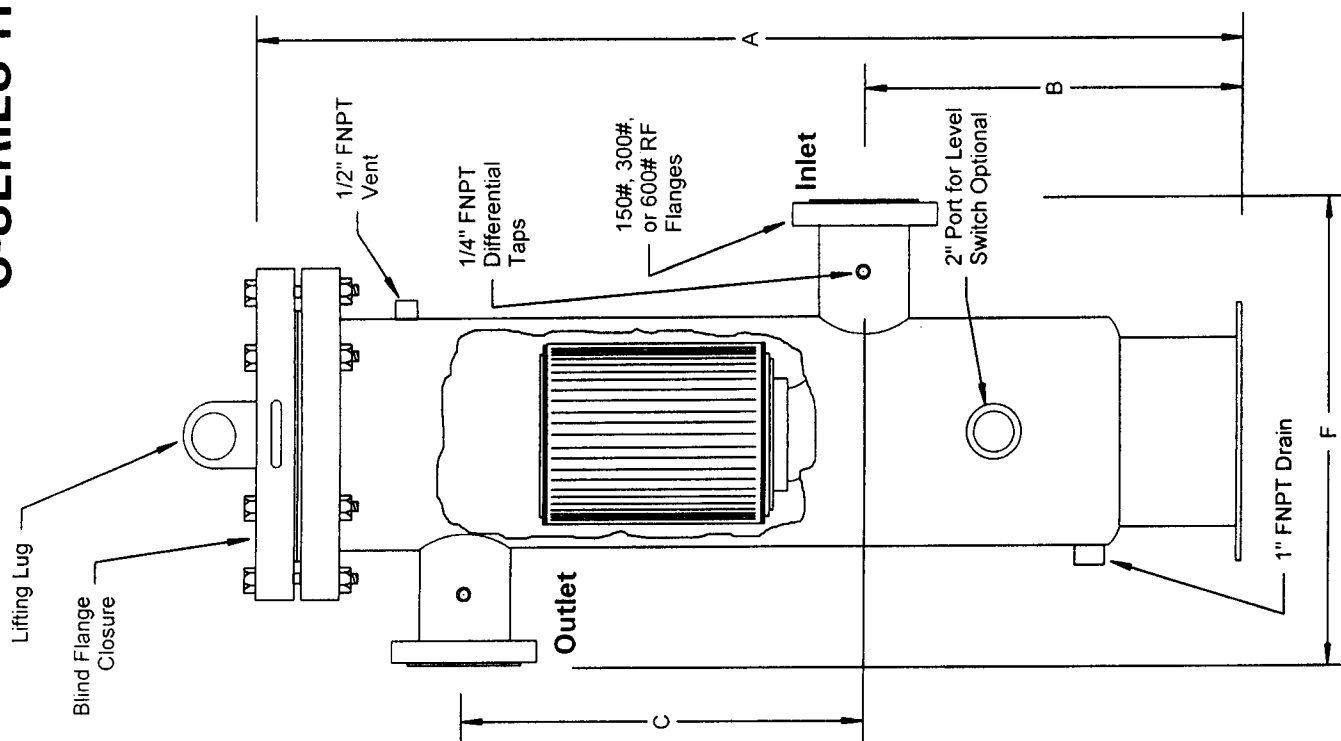
**FilterFab**  
**MANUFACTURING CORPORATION**

FOR MORE INFORMATION PHONE 1-800-899-6927

Dwg. File - C2T06DIMENSIONS Rev. -

DIMENSIONS, 2" THRU 6" C-SERIES FILTERS

# C-SERIES HIGH PRESSURE COALESCING GAS FILTERS



## DIMENSIONS

Model Number	Line Size	"A"	"B"	"C"	"F"	Sump Capacity	Replacement Filter Element
C8-285F	8"	71"	18"	39"	28"	14 gal.	#2490K907
C2-740F	2"	40"	12"	18"	17"	2 gal.	#422
C3-740F	3"	50"	15"	21"	18"	3 gal.	#425
C4-740F	4"	60"	18"	29"	20"	4 gal.	#415
C6-740F	6"	71"	20"	38"	24"	10 gal.	#2034K907
C2-1440F	2"	41"	12"	18"	17"	2 gal.	#422
C3-1440F	3"	51"	15"	21"	18"	3 gal.	#425
C4-1440F	4"	61"	18"	29"	20"	4 gal.	#415

## COMMON SPECIFICATIONS

Pressure Rating - 285, 740, or 1440 psi, Shown in Model Number

Temperature Rating - 100°F

Material of Construction - Carbon Steel

Dwg. #      Rev. #      Dwn. By      App. By

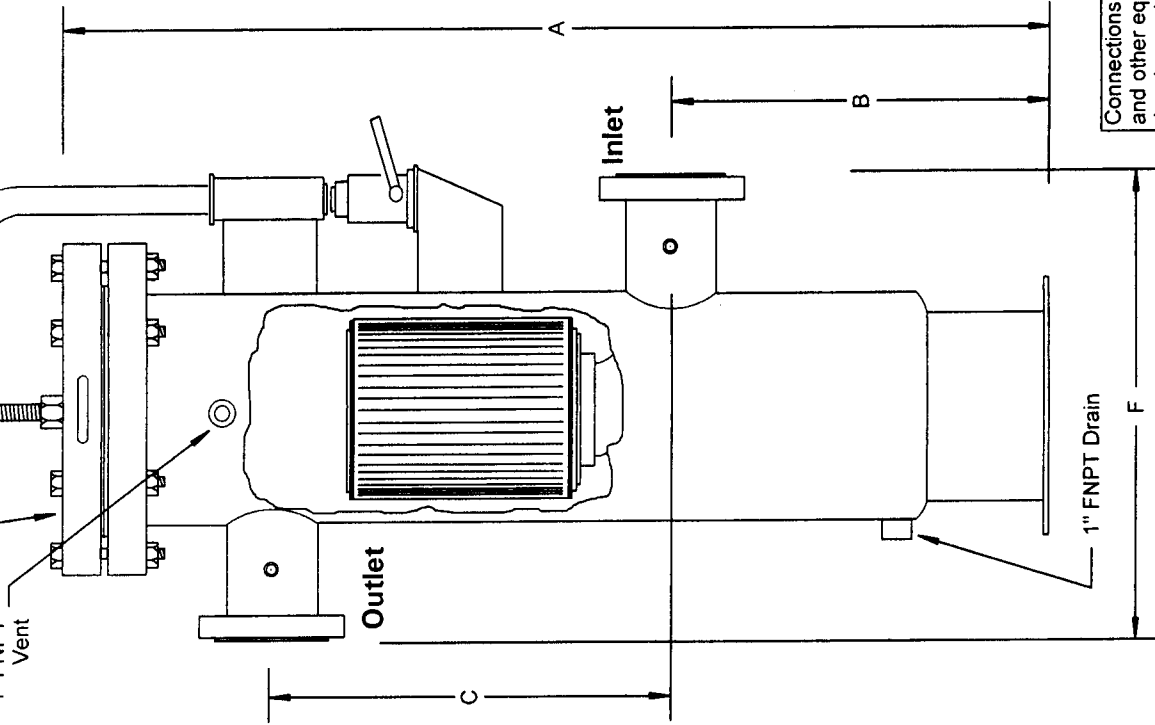
**FilterFab**  
MANUFACTURING CORPORATION

FOR MORE INFORMATION PHONE 1-800-899-6927

2" THRU 8" C-SERIES HIGH PRESSURE FILTERS

# C-SERIES HIGH PRESSURE COALESCING GAS FILTERS

Blind Flange Closure  
 1" FNPT Vent  
 Closure Davit is Hand Operated on 6" and 8" Units, Hydraulically Assisted on 10" and 12" Units



## DIMENSIONS

Model Number	Line Size	"A"	"B"	"C"	"F"	Sump Capacity	Replacement Filter Element
C10-285F	10"	86"	24"	46"	32"	29 gal.	(2) #2070K907
C12-285F	12"	113"	24"	48"	40"	40 gal.	(2) #2083K907
C8-740F	8"	72"	18"	39"	28"	14 gal.	#2490K907
C10-740F	10"	87"	24"	46"	32"	29 gal.	#2070K907
C12-740F	12"	113"	24"	48"	40"	40 gal.	#2083K907
C6-1480F	6"	72"	20"	38"	24"	10 gal.	#2034K907
C8-1480F	8"	72"	18"	39"	28"	14 gal.	#2490K907
C10-1480F	10"	87"	24"	46"	32"	29 gal.	(2) #2070K907
C12-1480F	12"	114"	24"	48"	40"	40 gal.	(2) #2083K907

## COMMON SPECIFICATIONS

Pressure Rating - 285, 740, or 1480 psi, shown in model number

Temperature Rating - 100°F

Material of Construction - Carbon steel

Dwg. # \_\_\_\_\_ Rev. # \_\_\_\_\_ Dwn. By \_\_\_\_\_ App. By \_\_\_\_\_

**FilterFab**  
 MANUFACTURING CORPORATION

Connections for liquid level controls, sight glasses, and other equipment are available. Markup this drawing and send to our engineering department.

FOR MORE INFORMATION PHONE 1-800-899-6927

6" THRU 12" C-SERIES HIGH PRESSURE FILTERS

Dwg. File - C6T012DIMENSIONS Rev. -