

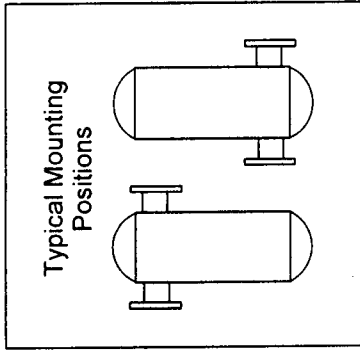
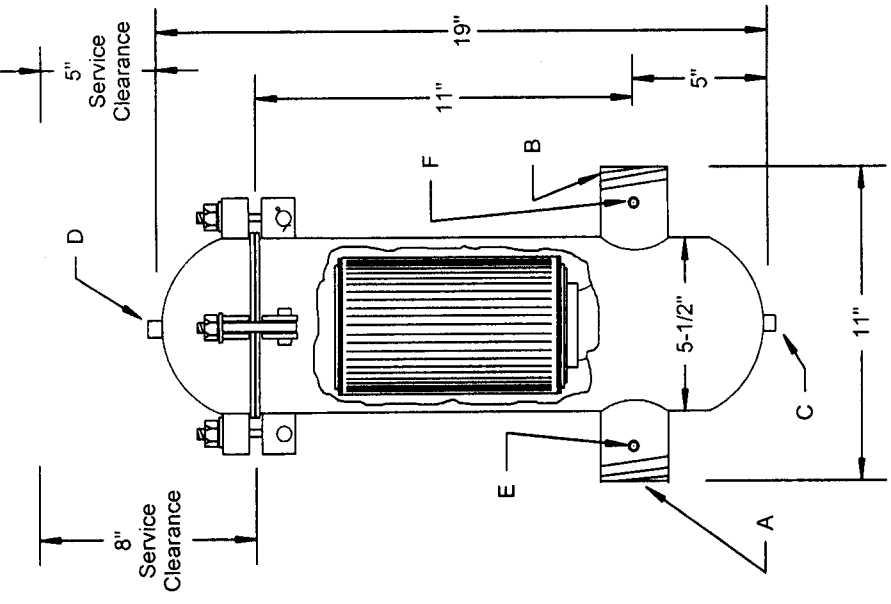
VESSEL DATA SHEET

Design Parameters	Pressure, Max. at Inlet Temperature Corrosion Allow. Code Standard Stamped?	180 psi 100 F 0.060" No
Operating Parameters	Pressure, Max. Temperature Gas Flow Rate Gas Specific Gravity	175 psi 100 F 12,000 scfh @ 10 psi 0.65
Vessel Testing	Hydrotest Pressure Pneumatic Test Pressure Radiograph Magnetic Particle Dye Penetrant	360 psi N/A None None None
Filtration Performance	Filter Element P/N Type of Filter Media Retention Rating Efficiency of Retention No. of Elements Design Clean Press. Drop Changeout Press. Drop	2525K5 Polyester/Paper Blend 10 micron 99.97% 1 0.33 psid 12 - 15 psid
Closure Specifications	Type Gasket Type	Quick-Open Swing-Bolt O-Ring, P/N 023
Internal Finish	Sandblast Oil Coat Glyptol Coat	Light Yes None
External Finish	Sandblast Primer Coat Intermediate Coat Finish Coat	SP-10 Commercial (2) Coats Red Oxide None (1) Coats Grey Enamel

Schedule of Openings			
Service	See Dim.	Qty.	Rating
Inlet	A	1	2"
Outlet	B	1	2"
Drain	C	1	1/2"
Vent	D	1	1/2"
Press. Tap	E	1	1/4"
Press. Tap	F	1	1/4"

Materials of Construction	
Shell	SA53B
Bottom Head	SA234WPB
Closure Cap	SA234WPB
In/Out Piping	SA53B
Flanges	SA105
Couplings	SA105
Closure Gasket	Buna-N Rubber
Closure Bolts	SA449/Grade 5
Legs	N/A
Ring Base	N/A

Shipping Information	
Thickness	0.258"
	0.258"
	0.258"
	0.154"
	ANSI 150# FF
	3000#
	1/2" dia.
Total Weight	40#



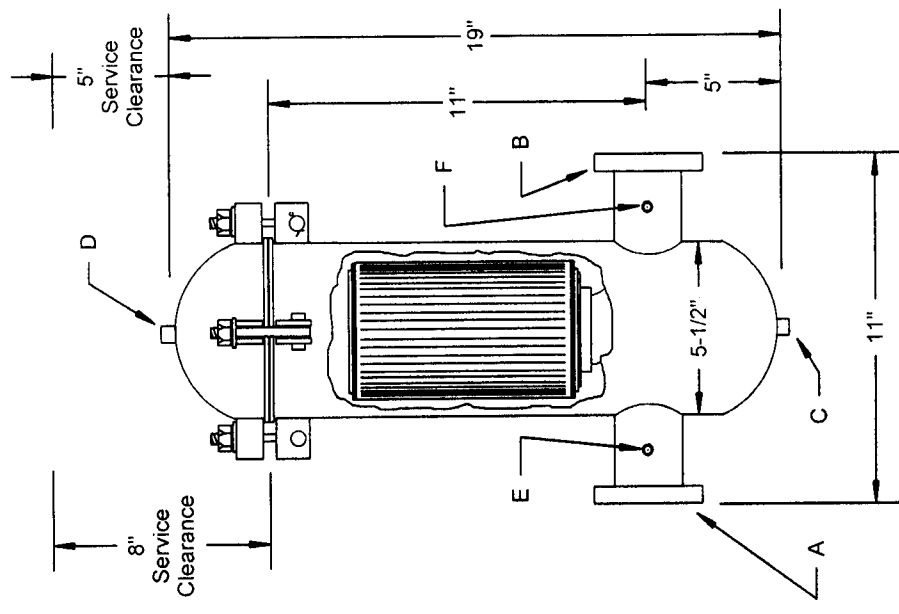
Dwg. # _____ Rev. # _____ Dwn. By _____ App. By _____

FilterFab

MANUFACTURING CORPORATION

Model F2M-180T Gas Line Filter

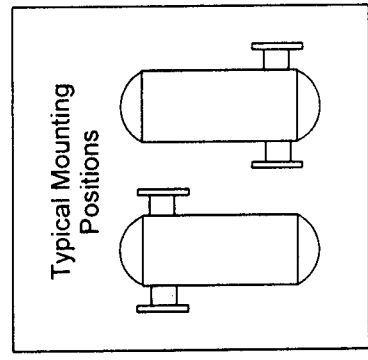
VESSEL DATA SHEET



Schedule of Openings	
Service	See Dim. Qty. Size Rating Type
Inlet	A 1 2" 150# ANSI FFSSO
Outlet	B 1 2" 150# ANSI FFSSO
Drain	C 1 1/2" Cplg
Vent	D 1 1/2" Cplg
Press. Tap	E 1 1/4" Cplg
Press. Tap	F 1 1/4" Cplg

Materials of Construction	
	Thickness
Shell	SA53B 0.258"
Bottom Head	SA234WPB 0.258"
Closure Cap	SA234WPB 0.258"
In/Out Piping	SA53B 0.154"
Flanges	SA105 ANSI 150# FF
Couplings	SA105 3000#
Closure Gasket	Buna-N Rubber 1/2" dia.
Closure Bolts	SA449/Grade 5
Legs	N/A
Ring Base	N/A

Shipping Information	
Total Weight	45#



Design Parameters	
Pressure, Max. at Inlet	180 psi
Temperature	100 F
Corrosion Allow.	0.060"
Code Standard Stamped?	No

Operating Parameters	
Pressure, Max.	175 psi
Temperature	100 F
Gas Flow Rate	12,000 scfh @ 10 psi
Gas Specific Gravity	0.65

Vessel Testing	
Hydrotest Pressure	360 psi
Pneumatic Test Pressure	N/A
Radiograph	None
Magnetic Particle	None
Dye Penetrant	None

Filtration Performance	
Filter Element P/N	2525K5
Type of Filter Media	Polyester/Paper Blend
Retention Rating	10 micron
Efficiency of Retention	99.97%
No. of Elements	1
Design Clean Press. Drop	0.33 psid
Changeout Press. Drop	12 - 15 psid

Closure Specifications	
Type	Quick-Open Swing-Bolt
Gasket Type	O-Ring, P/N 023

Internal Finish	
Sandblast	Light
Oil Coat	Yes
Glyptol Coat	None

External Finish	
Sandblast	SP-10 Commercial
Primer Coat	(2) Coats Red Oxide
Intermediate Coat	None
Finish Coat	(1) Coats Grey Enamel

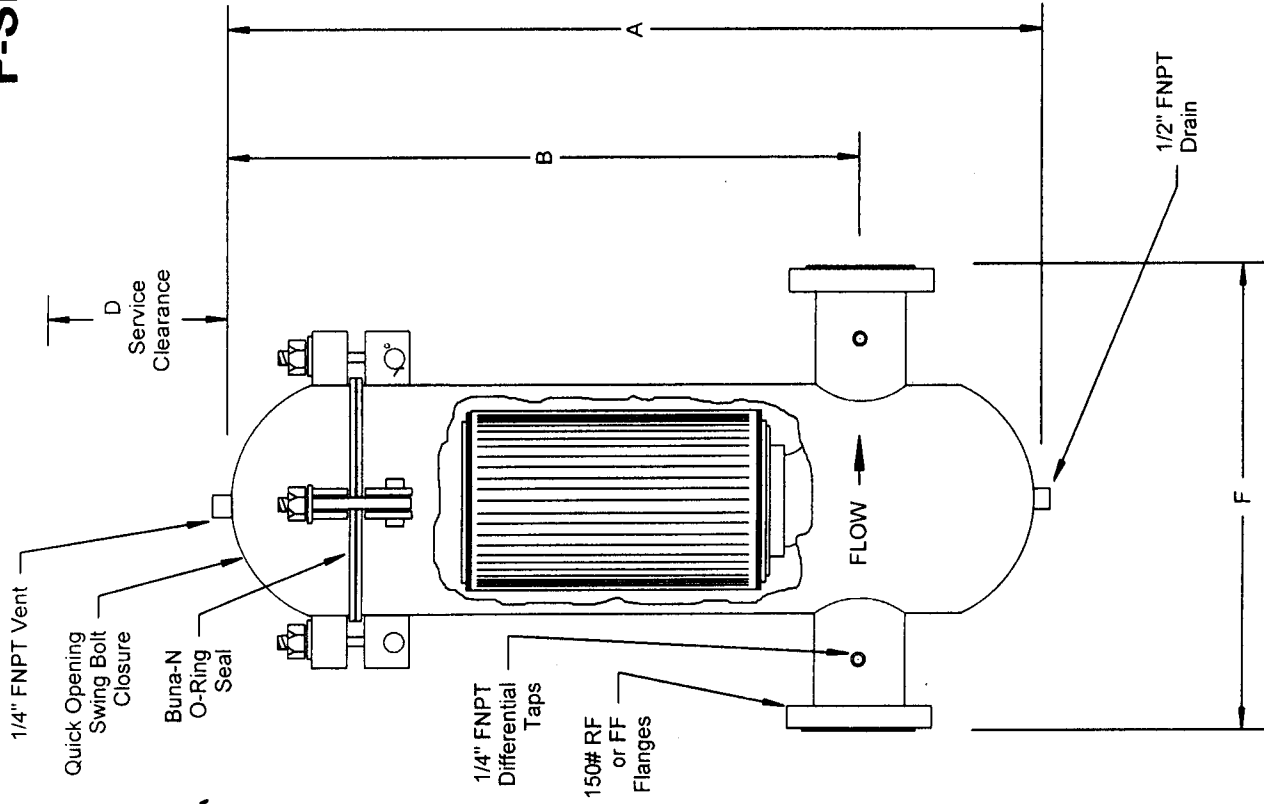
Dwg. # _____ Rev. # _____ Drm. By _____ App. By _____

FilterFab
MANUFACTURING CORPORATION
Model F2M-180F Gas Line Filter

FOR MORE INFORMATION PHONE 1-800-899-6927

Dwg. File - F2M180FAXCO Rev. -

F-SERIES LOW PRESSURE GAS FILTERS



DIMENSIONS

Model Number	Line Size	"A"	"B"	"F"	"D"	Replacement Filter Element
F2-180F	2"	27"	20"	15"	12"	#2385K140
F3-180F	3"	32"	25"	18"	15"	#2394K140
F4-180F	4"	43"	35"	20"	25"	#2022K5
F6-180F	6"	52"	40"	24"	30"	#2034K5
F2-285F	2"	27"	20"	15"	12"	#2385K140
F3-285F	3"	32"	25"	18"	15"	#2394K140
F4-285F	4"	43"	35"	20"	25"	#2022K5
F6-285F	6"	52"	40"	24"	30"	#2034K5

COMMON SPECIFICATIONS

Pressure Rating - 180 or 285 psi, Shown in Model Number

Temperature Rating - 100 °F

Material of Construction - Carbon Steel

Dwg. # _____ Rev. # _____ Dm. By _____ App. By _____

FilterFab
MANUFACTURING CORPORATION

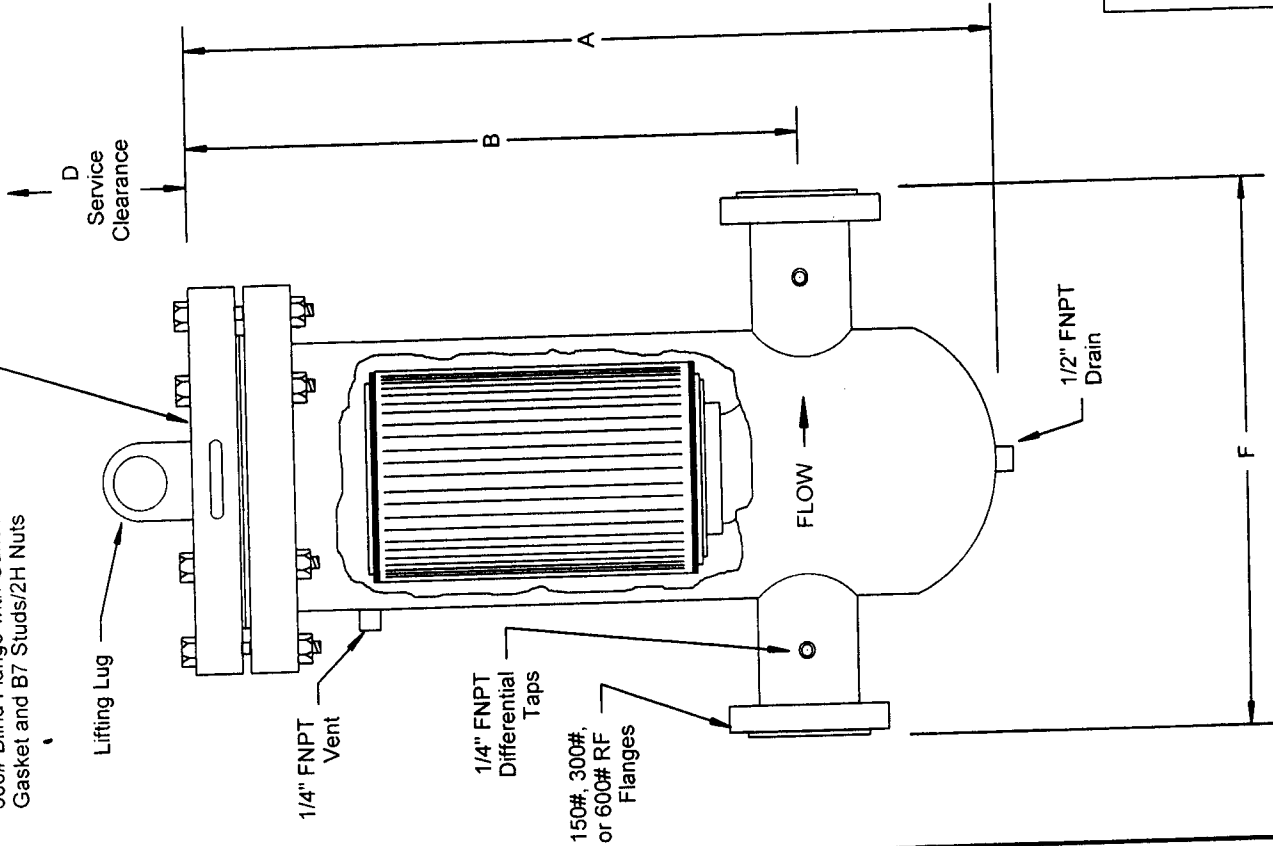
FOR MORE INFORMATION PHONE 1-800-899-6927

Dwg. File - F2T06DIMENSIONS Rev. -

DIMENSIONS, 2" THRU 6" F-SERIES FILTERS

F-SERIES HIGH PRESSURE GAS FILTERS

Top Closures Are -
 150# or 300# Blind Flange with Garlock
 3000 Gasket and Grade 5 Bolts/2H Nuts
 or
 600# Blind Flange with Garlock 3000
 Gasket and B7 Studs/2H Nuts



DIMENSIONS

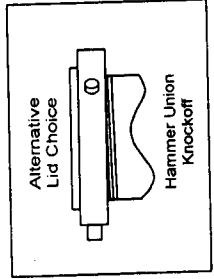
Model Number	Line Size	"A"	"B"	"F"	"D"	Replacement Filter Element
F8-285F	8"	47"	33"	28"	20"	#2054K5
F2-740F	2"	26"	19"	15"	12"	#2385K140
F3-740F	3"	32"	25"	18"	15"	#2394K140
F4-740F	4"	38"	30"	20"	25"	#2022K5
F6-740F	6"	49"	38"	24"	30"	#2034K5
F2-1480F	2"	27"	20"	15"	12"	#2385K140
F3-1480F	3"	33"	26"	18"	15"	#2394K140
F4-1480F	4"	38"	30"	20"	25"	#2022K5

COMMON SPECIFICATIONS

Pressure Rating - 285, 740, 1480 psi, Shown in Model Number

Temperature Rating - 100 °F

Material of Construction - Carbon Steel



App. By

Drn. By

Rev. #

Dwg. #

FilterFab
 MANUFACTURING CORPORATION

DIMENSIONS, 2" THRU 8" F-SERIES FILTERS

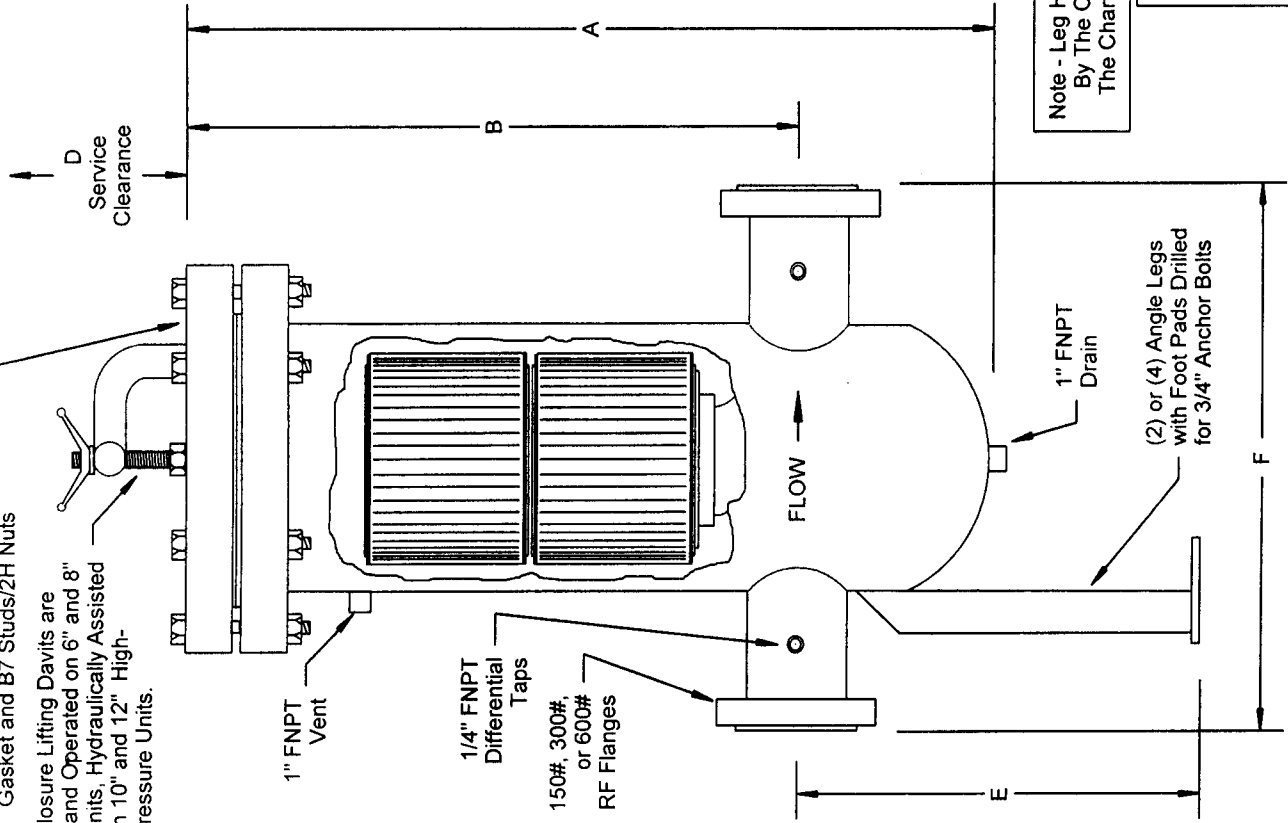
FOR MORE INFORMATION PHONE 1-800-899-6927

Dwg. File - F2T08DIMENSIONS

Rev. -

F-SERIES HIGH PRESSURE GAS FILTERS

Top Closures - Are -
 150# or 300# Blind Flange with Garlock
 3000 Gasket and Grade 5 Bolts/2H Nuts
 or
 600# Blind Flange with Garlock 3000
 Gasket and B7 Studs/2H Nuts
 Closure Lifting Davits are
 Hand Operated on 6" and 8"
 Units, Hydraulically Assisted
 on 10" and 12" High-
 Pressure Units.



DIMENSIONS

Model Number	Line Size	"A"	"B"	"F"	"D"	"E"	Replacement Filter Element
F10-285F	10"	60"	44"	32"	24"	29"	(2) #2070K5
F12-285F	12"	66"	47"	40"	24"	31"	(2) #2083K5
F8-740F	8"	48"	34"	28"	20"	N/A	#2054K5
F10-740F	10"	61"	45"	32"	24"	29"	(2) #2070K5
F12-740F	12"	67"	48"	40"	24"	31"	(2) #2083K5
F6-1440F	6"	51"	39"	24"	30"	N/A	#2034K5
F8-1440F	8"	49"	35"	28"	20"	N/A	#2054K5
F10-1440F	10"	62"	46"	32"	24"	29"	(2) #2070K5
F12-1440F	12"	68"	49"	40"	24"	31"	(2) #2083K5

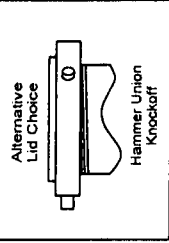
COMMON SPECIFICATIONS

Pressure Rating - 285, 740, 1440 psi, Shown in Model Number

Temperature Rating - 100°F

Material of Construction - Carbon Steel

Note - Leg Height Dimension, "E", May Be Specified By The Customer. The "E" Dimension Shown In The Chart Above Is Used If Unspecified.



Dwg. # _____ Rev. # _____ Drm. By _____ App. By _____

FilterFab
 MANUFACTURING CORPORATION

DIMENSIONS, 6" THRU 12" F-SERIES FILTERS

FOR MORE INFORMATION PHONE 1-800-899-6927

Dwg. File - F6T012DIMENSIONS Rev. -