

# Tee Strainers

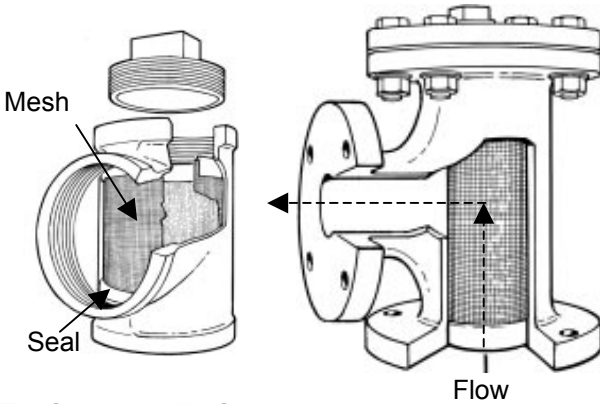
**Applications:** These strainers are designed to protect downstream equipment from loose scale, weld slag, grit and other foreign material. They are ideal for insertion upstream of gas meters and regulators. Screens are stainless steel and available in 20, 40, 60, 80, 100 and 120 mesh.

**Tee Strainers** have a removable Screen Cylinder.

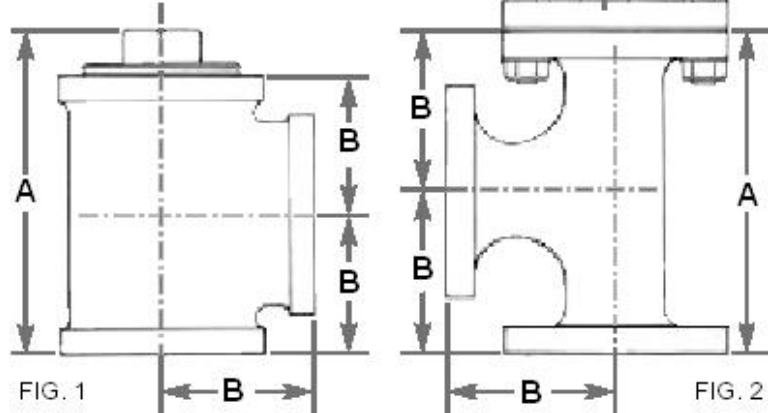
- Removable cap permits element to be easily inspected and cleaned.
- Seal gaskets constructed of resilient polyvinyl.
- Available in 1" to 4" NPT and 2" – 4" ANSI 150 Flanged
- Pete's plug can also be installed for easy pressure verification.



### Construction



### Dimensions



### Typical Installation

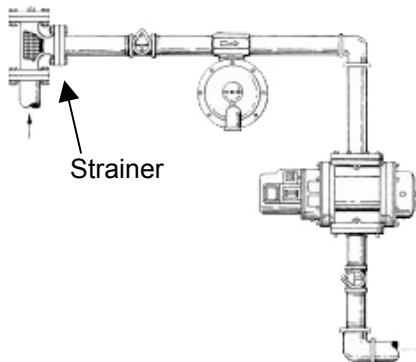


FIG 1	A	B
1"	3 5/8"	1 1/2"
1 1/2"	4 3/4"	1 7/8"
2"	5 1/2"	2 1/4"
3"	7 1/8"	3 3/16"
4"	9 1/2"	3 15/16"

FIG 2.	A	B
2" FL	9 7/16"	4 1/2"
3" FL	11 13/16"	5 1/2"
4" FL	13 7/8"	6 1/2"

Install the T-strainer upstream of the regulator to protect both devices.

For Sales & Service Contact:

41 Magnolia Avenue  
Cambridge MA 02138  
Phone: (617) 290-2134  
Fax: (240) 250-8907

**Follin Flo-Controls**  
[www.FollinFlo-Controls.com](http://www.FollinFlo-Controls.com)  
[sales@FollinFlo-Controls.com](mailto:sales@FollinFlo-Controls.com)

Doc. Ref: F02A\_T\_Strainer\_FFC\_v. 1

5 Heritage Hill Rd.  
Norwalk, CT 06851  
Phone: (203) 845-0593  
Fax: (203) 846-3825