

Refurbished Commercial Diaphragm Meters



General:

Refurbished commercial Diaphragm meters are ideal for sub-meters, replacing existing meters that have been discontinued or for fiscal measurement in gas field operations where the aggressive nature of the gas reduces the life of the meter, making repeated replacement with new meters cost prohibitive. Many sizes, such as the AL1400, AL2300 and AL5000 are only currently available as refurbished meters. These meters are rugged but are also heavier than currently available models or alternate technologies such as Rotary meters.

All refurbished meters are thoroughly rebuilt and are tested to the original meter manufacturer's specifications. All moving parts are repaired and/or replaced. The meters are then cleaned, primed and painted. Final testing is done on NIST traceable provers (NY State PUC approved).

Makes and Models:

American Meter

AL 800
AL1400
AL2300
AL 5000

Invensys (Rockwell / Equimeter)

750
1600
3000

Features & Benefits:

- *Cost Savings vs. New Meters*
- *Tried and proven Positive Displacement design*
- *Low Maintenance*
- *Rugged Aluminum Construction*
- *High pressure models available*
- *Easy to Read Odometer Index*
- *Internal Temperature Compensation*

Options:

Pulse output
Electronic PT Correctors
Data Loggers
Strainers / Filters
Regulators

For Sales & Service Contact:

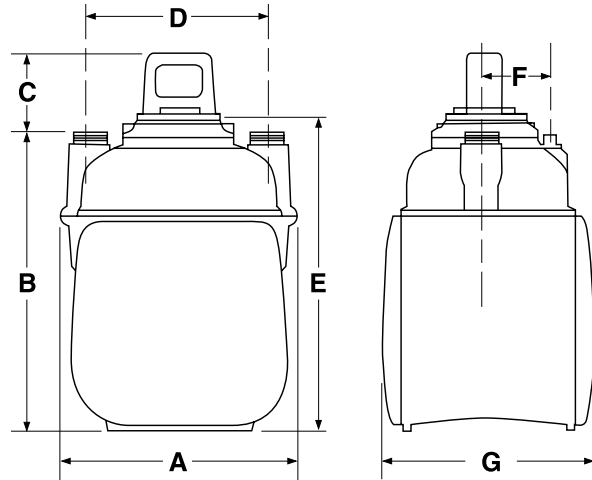
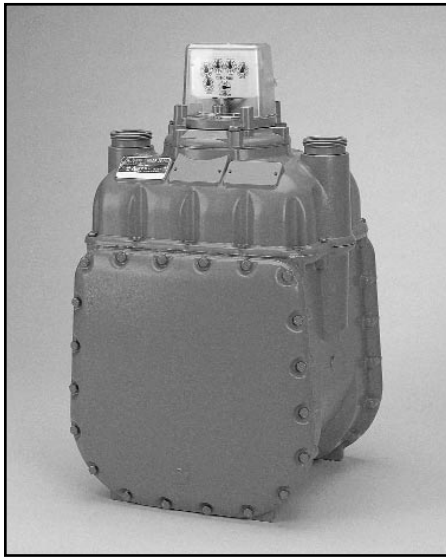
39 Magnolia Avenue
Cambridge MA 02138
Phone: (617) 290-2134
Fax: (240) 250-8907

Follin Flo-Controls
www.FollinFlo-Controls.com
sales@FollinFlo-Controls.com

Doc. Ref: Refurb Diaph v. 1

5 Heritage Hill Rd.
Norwalk, CT 06851
Phone: (203) 845-0593
Fax: (203) 846-3825

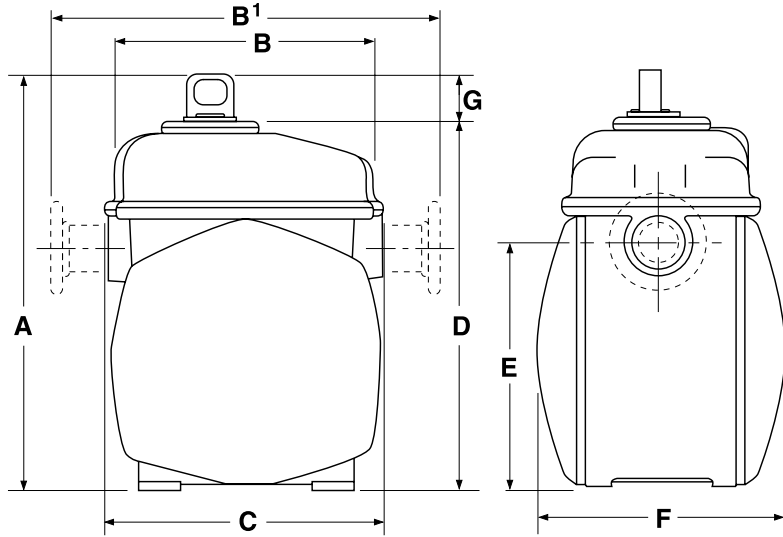
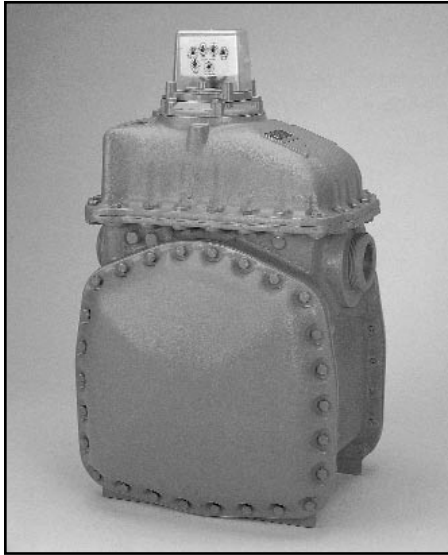
AL-800 and AL-1000 Aluminumcase Diaphragm Meters



Meter Model MAOP		AL-800		AL-1000	
Inlet Pressure (psig)	Differential Pressure (in. w.c.)	20 psig	100 psig	25 psig	100 psig
		Meter Capacity (scfh) For 0.60 S.G. Gas			
0.25	1/2	800	800	1,000	1,000
0.25	2	1,700	1,700	2,200	2,200
5	2	2,100	2,100	2,700	2,700
10	2	2,600	2,600	3,400	3,400
15	2	2,800	2,800	3,700	3,700
20	2	3,200	3,200	4,100	4,100
25	2	-	3,500	4,600	4,600
30	2	-	3,800	-	5,000
50	2	-	5,100	-	6,600
75	2	-	6,500	-	8,400
100	2	-	7,800	-	10,100
Cubic Feet Per Revolution		5/13			
Proving Circle Volume (English)		5 ft ³ or 10 ft ³			
Proving Circle Volume (Metric)		0.1 m ³			
Undergear Ratio (English)		13:1 (5 ft ³) or 26:1 (10 ft ³)			
Undergear Ratio (Metric)		9:1			
Installation Instructions Bulletin		IM 3701			
Parts List Bulletin		RPL 3807			

MAOP (psig)	Dimensions (inches)							Weight lbs.	Connections
	A	B	C	D	E	F	G		
AL-800									
20	14.12	18.50	4.81	11.00	19.12	4.38	13.25	50	1-1/4"-30 LT 1-1/2"-45 LT #3-4 Sprague
20	14.12	19.19	4.19	11.00	19.12	4.38	13.25	50	1-1/2" NPT (F)
100	14.62	18.75	5.19	11.00	19.75	4.38	16.62	70	1-1/2" NPT (F)
100	14.62	19.81	4.12	11.00	19.75	4.38	16.62	70	#3-4 Sprague
AL-1000									
25	14.12	18.50	4.81	11.00	19.12	4.38	13.25	54	1-1/2"-45 LT 1-1/2" NPT (F)
25	14.12	19.25	4.06	11.00	19.12	4.38	13.25	54	2"-100 LT
25	14.12	20.25	3.06	11.00	19.12	4.38	13.25	54	#5 Sprague
100	14.62	18.75	5.19	11.00	19.75	4.38	16.62	78	1-1/2" NPT (F)

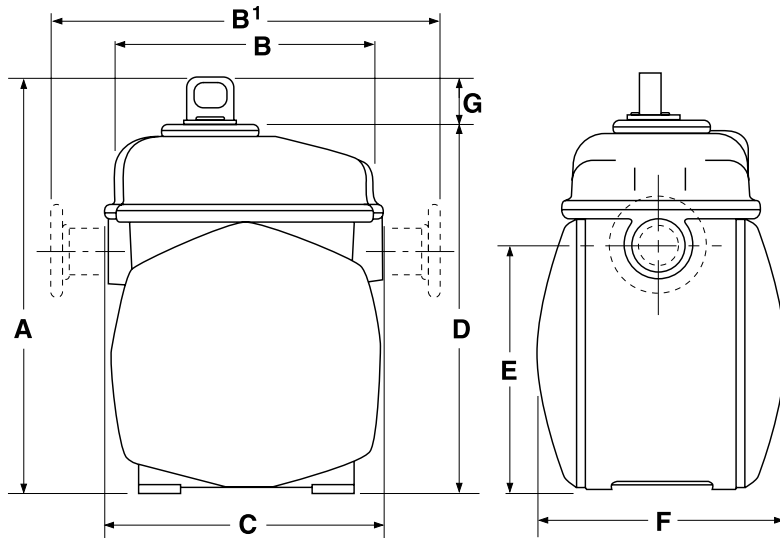
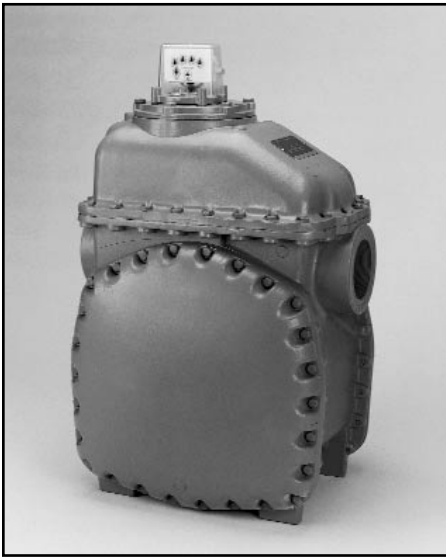
AL-1400 Aluminumcase Diaphragm Meters



Meter Model MAOP		AL-1400
Inlet Pressure (psig)	Differential Pressure (in. w.c.)	100 psig
		Meter Capacity (scfh) For 0.60 S.G. Gas
0.25	1/2	1,400
0.25	2	3,000
5	2	3,700
10	2	4,600
15	2	5,000
20	2	5,600
25	2	6,200
30	2	6,800
50	2	9,000
75	2	11,500
100	2	13,800
Cubic Feet Per Revolution		5/7
Proving Circle Volume (English)		5 ft ³ or 10 ft ³
Proving Circle Volume (Metric)		0.1 m ³
Undergear Ratio (English)		7:1 (5 ft ³) or 14:1 (10 ft ³)
Undergear Ratio (Metric)		5:1
Installation Instructions Bulletin		IM 3701
Parts List Bulletin		RPL 3808

MAOP (psig)	Dimensions (inches)								Weight lbs.	Connections
	A	B	B ¹	C	D	E	F	G		
AL-1400										
100	28.88	17.25	-	17.38	24.62	15.00	15.88	4.25	120	2" NPT(F)
100	28.88	17.25	-	15.75	24.62	15.00	15.88	4.25	120	3" NPT (F)
100	28.88	-	28.00	-	24.62	15.00	15.88	4.25	132	3" Flanged

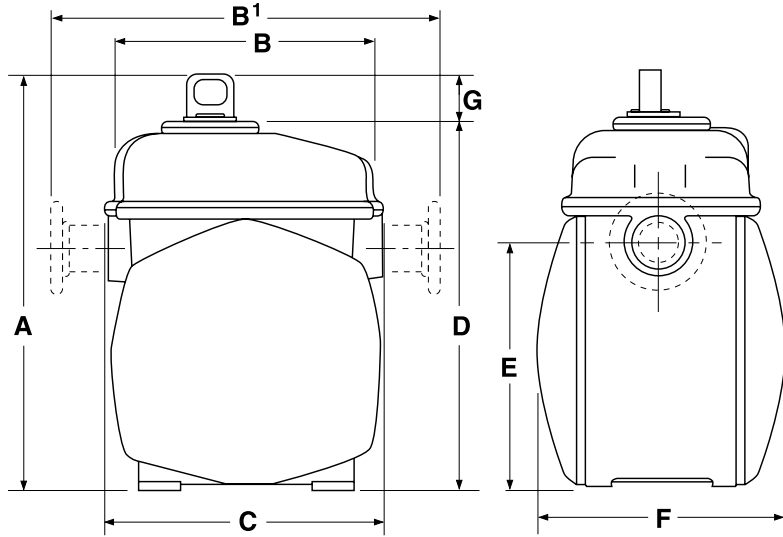
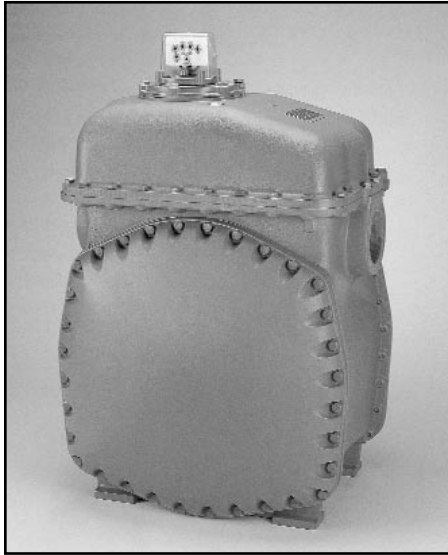
AL-2300 Aluminumcase Diaphragm Meters



Meter Model MAOP		AL-2300
Inlet Pressure (psig)	Differential Pressure (in. w.c.)	100 psig
		Meter Capacity (scfh) For 0.60 S.G. Gas
0.25	1/2	2,300
0.25	2	5,000
5	2	6,200
10	2	7,700
15	2	8,400
20	2	9,400
25	2	10,400
30	2	11,400
50	2	15,000
75	2	19,100
100	2	23,000
Cubic Feet Per Revolution		1-1/4
Proving Circle Volume (English)		10 ft ³ or 100 ft ³
Proving Circle Volume (Metric)		0.1 m ³ or 1.0 m ³
Undergear Ratio (English)		8:1 (100 ft ³) or 80:1 (100 ft ³)
Undergear Ratio (Metric)		2.8:1 (0.1 m ³) or 28:1 (1.0 m ³)
Installation Instructions Bulletin		IM 3701
Parts List Bulletin		RPL 3809

MAOP (psig)	Dimensions (inches)								Weight lbs.	Connections
	A	B	B ¹	C	D	E	F	G		
AL-2300										
100	33.31	21.00	-	21.62	29.06	17.88	18.25	4.25	175	4" NPT(F)
100	-	-	32.00	-	-	-	-	-	192	4" Flanged

AL-5000 Aluminumcase Diaphragm Meters



Meter Model MAOP		AL-5000
Inlet Pressure (psig)	Differential Pressure (in. w.c.)	100 psig
		Meter Capacity (scfh) For 0.60 S.G. Gas
0.25	1/2	5,000
0.25	2	11,000
5	2	13,500
10	2	17,000
15	2	18,500
20	2	20,600
25	2	23,000
30	2	25,000
50	2	33,000
75	2	42,000
100	2	50,500
Cubic Feet Per Revolution		2-6/7
Proving Circle Volume (English)		10 ft ³ or 100 ft ³
Proving Circle Volume (Metric)		1.0 m ³
Undergear Ratio (English)		3.5:1 (100 ft ³) or 35:1 (100 ft ³)
Undergear Ratio (Metric)		12.3:1
Installation Instructions Bulletin		IM 3701
Parts List Bulletin		RPL 3810

MAOP (psig)	Dimensions (inches)								Weight lbs.	Connections
	A	B	B ¹	C	D	E	F	G		
AL-5000										
100	40.00	26.25	-	26.00	35.75	23.38	23.62	4.25	310	4" NPT(F)
100	-	-	32.00	-	-	-	-	-	327	4" Flanged