

Actaris ACD G1.6-CH Diaphragm Gas Meter



Operating Specifications / Tech Data

Manufacturer:	Actaris
Model:	ACD G1.6 - CH
Size:	G1.6
Index:	Metric (00000.000m3)
Connection*:	G 3/4" ISO 228/1 straight thread
Interaxis	110 mm (4.33")
Case Material	Aluminum
Cyclic Vol:	0.7 dm3
Qmax (0.6 s.g nat gas):	Std: 2.5 m3/hr (88 ft3/hr) Optional: 3.0 m3/hr (106 ft3/hr)
Qmin:	0.016 m3/hr (.565 ft/hr)
P max:	0.5 Bar =50 kPa (7.25 PSI)
Op. Temp.	-20°C to +50°C (-4°F to +122°F)
Pulser:	Optional, 12V max, 10mA
1 Pulse per	.01m3 = 10 dm3 =1 liter= 0.35315 Ft3
Color:	Gray

see pressure loss and accuracy curves below

Description

The Actaris ACD G1.6 diaphragm gas meter is a compact aluminum case positive displacement meter designed to accurately measure natural gas, LPG and other non-corrosive dry gases. For the North American market a version is available with metric readout and capacity up to 3 m3/hr and pulse output. The meter has an odometer type index that totalizes volume in m3 down to 3 decimal points.

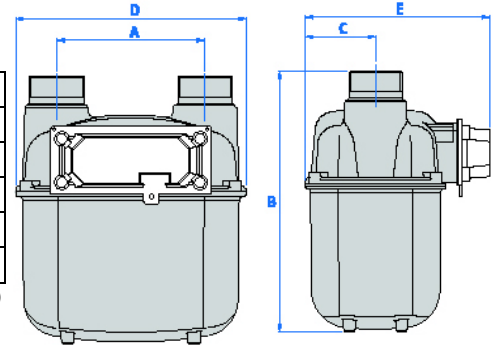
Applications

The ACD G1.6 meters are widely used as test meters for flue gas analysis, stack sampling, pollution control measurement and as laboratory dry test meters. The ACD G1.6 is ideal for EPA compliance testing or submetering.

Dimensions

	inch	mm
A	4.33	110
B	7.87	200
C	2.19	55.5
D	6.73	171
E	5.71	145

Weight: 3.3 lbs(1.48 kg)

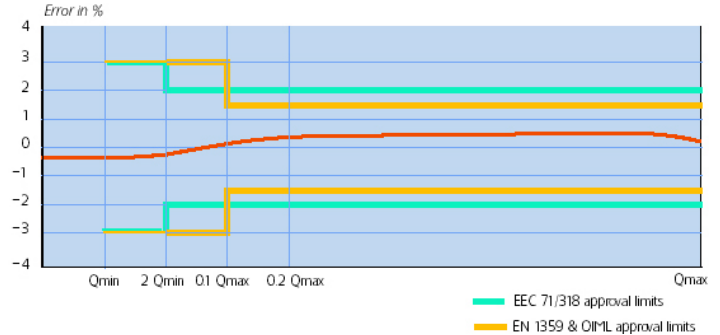


Installation Considerations

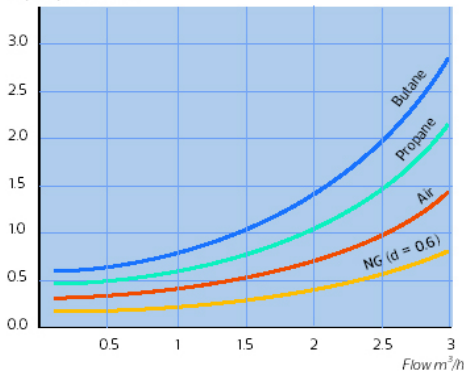
The hubs on top of the meter are G3/4" ISO 228/1 straight connections. *Meter is sold with mating gaskets, G3/4" Nut and G 3/4" x 1/2" NPT male swivel (for US) or G3/4" x G1/2 (for export). Optional G 3/4" x 3/8" NPT Female swivel set is available at additional cost. A Swagelok tube fitting can also be added.

Optional Accessories & Services

Calibration Service



Pressure loss in mbar



For Sales & Service Contact:

41 Magnolia Avenue
Cambridge MA 02138
Phone: (617) 290-2134
Fax: (240) 250-8907

Follin Flo-Controls

www.FollinFlo-Controls.com
sales@FollinFlo-Controls.com

Doc. Ref: 08051406 ACD G1.6 Bulletin v. 2

5 Heritage Hill Rd.
Norwalk, CT 06851
Phone: (203) 845-0593
Fax: (203) 846-3825