

4440 Series Compact BTU Meter

Size: 3/4"



Description:

The 4440 Series Compact BTU Meter calculates energy consumption by multiplying the flow volume by the difference in water temperature between the supply and return lines. The resultant total energy used is displayed on the meter's non-resettable 7 digit LCD index in kWh. The integrating unit and one of the two required temperature wells are mounted on the multi-jet flow meter – making for a compact and easy to install design. A front panel push button displays other data such as: Flow rate (m3/hr), Forward temperature (°C), Return temperature (°C), ΔT(°C), Power (kW), Volume (m3), Diagnostics.

Operating Specifications / Tech Data

Temp. Range	32 - 302 °F (0 - 150 °C)
Max Op. Pressure	232 PSIG (16 bar)
Readout (LCD)	7 Digits, kWh
Protection Class	IP 54
Q _{min} (min. Flow)	0.2 GPM (25 L/hr)
Q _n (Cont. Flow)	11 GPM (2.5 m3/hr)
Q _{max} (Max. Flow)	22 GPM (5 m3/hr)
T-Sensor Wells	3/8" NPT (only 1 required)
T-Sensor Cable L.	4.5'
T-Sensor Type	Platinum RTD (PT500)
Power	Li battery (6 -10 years)
Measurement Accuracy	EN 1434 / Class 2
Connection Size	3/4" G (sold with 3/4" NPT tail pieces)

For Sales & Service Contact:

41 Magnolia Avenue
Cambridge MA 02138
Phone: (617) 290-2134
Fax: (240) 250-8907

Follin Flo-Controls

www.FollinFlo-Controls.com
sales@FollinFlo-Controls.com

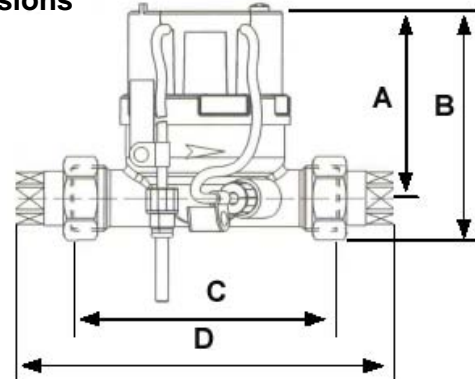
Doc. Ref: 4440_BTU_Bulletin_FFC_v1

5 Heritage Hill Rd.
Norwalk, CT 06851
Phone: (203) 845-0593
Fax: (203) 846-3825

Applications

- Submetering heating or cooling systems
- Metering energy output from solar systems
- Ground Source Heat Pumps
- Energy Audits/efficiency studies

Dimensions



Size	A	B	C	D	Weight
3/4"	2.96"	3.94"	5.12"	10.2"	2.2 lbs.

Installation Considerations

Meter is delivered with mating 3/4" Nuts, Gaskets and tailpieces. The meter comes with an integral 3/8" T-well. A second well needs to be installed in the hot water supply line.

The meter is typically installed in the return line or downstream of a zone valve. The other T-sensor is installed in the HW supply line.

No straight pipe before or after the meter are required for optimal accuracy.

The flow arrow on the body of the meter should be installed in the direction of the water flow. Meter can be installed in vertical or horizontal line.

Shutoff valves are recommended before and after the meter. See detailed instructions for operations.

Optional Accessories & Services

- Open Collector Pulse Output for energy (1 kWh/pulse) and Volume
 - (125 mS width) 24V at 0.1mA
- Larger size meters (see 5202 series)