

P912 Pressure Regulator

- Versatile
- Control Accuracy
- Compact Design
- Removable Vent Screen

The Type P912 pressure regulator functions as a pneumatic pressure controlling device with an adjustable set point. The P912 can be used in a variety of applications in which accurate pressure regulation is required. The internal relief feature allows the regulator to respond quickly and to relieve excessive pressure.



Applications

Applicable to a wide range of gaseous fluids, including air, natural gas and propane. Can be used as a LP regulator.

Specifications

P912	
Inlet	1/4 NPT
Outlet	1/4 or 3/8 NPT
Temperature Range	-20 to 170 °F (-29° to 77 °C)
Outlet Pressure Ranges	3-7 inches W.C. 7 to 17 mBAR
	5-10 inches W.C. 12 to 25 mBAR
	9.25-13 inches W.C. 23 to 32 mBAR U.L. 144 Listed
	10 inches W.C.-1.05 psig 25 to 72 mBAR
	0.8-2.7 psig 55-186 mBAR U.L. 144 Listed
	2.7-5 psig 186-340 mBAR U.L. 144 Listed
Maximum allowable inlet pressure	250 PSIG (17.3 BAR)
Approximate Weight	1.3 lbs. 0.59 kg

Materials of Construction

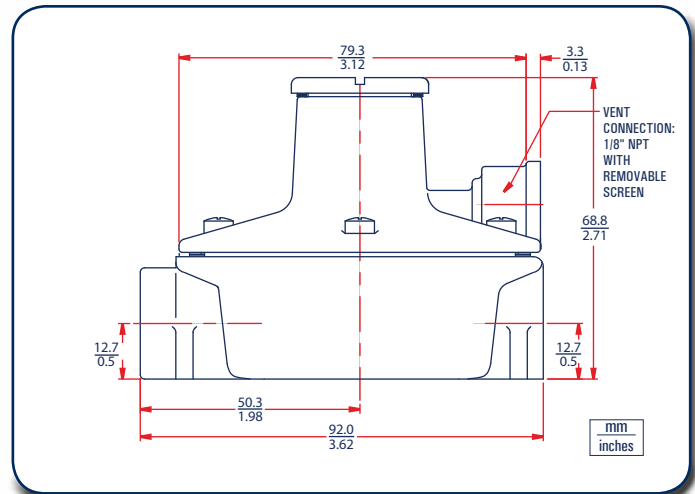
P912	
Body, Bonnet	Zinc
Diaphragm	Nitrile
Diaphragm Assembly	Zinc/Nitrile
Gaskets	Non-asbestos, CGR 2750
Pin	Stainless Steel
Vent screen	Monel
Spring	Zinc-Plated Steel
Diaphragm Piston	Zinc-Plated Steel

Output Pressure Settings	Outlet Pressure Setting	Spring Part Number	Offset	Capacity in SCFH (m3/h) of 0.6 Specific Gravity Natural Gas									
				Inlet Pressure, PSIG/BAR									
				5	10	25	50	75	100	150	200	250	
				0.34	0.69	1.7	3.4	5.2	6.9	10	14	17	
5 inches W.C. 12 mBAR	3 to 7 inches W.C. 7 to 17 mBAR	655-681-000	1 inch W.C. 2.5 mBAR	50	65	75	100						
7 inches W.C. 17 mBAR	5 to 10 inches W.C. 12 to 25 mBAR	655-682-000	1 inch W.C. 2.5 mBAR		75	112	155	155	155	155	155		
11 inches W.C. 27 mBAR	9-1/4 to 13 inches W.C. 23 to 32 mBAR	655-683-000	1 inch W.C. 2.5 mBAR		75	140	155	155	155	155	155	155	
15 inches W.C. 27 mBAR	10 inches W.C. to 1.05 PSIG 25 to 72 mBAR	655-684-000	2 inch W.C. 5 mBAR		68	100	135	150	160	190	200	200	
1 psig 69 mBAR	0.8 to 2.7 psig 55 to 186 mBAR	655-695-000	10%		40	40	85	90	100	155	160	185	
			20%		1.47	1.07	2.28	2.41	2.68	4.15	4.29	4.96	
2 psig 140 mBAR	0.8 to 2.7 psig 55 to 186 mBAR	655-695-000	10%		55	100	135	155	185	240	285	300	
			20%		1.47	2.68	3.62	4.15	4.96	6.43	7.64	8.04	
5 psig 340 mBAR	2.7 to 5 psig 186 to 340 mBAR	655-696-000	10%		50	85	105	130	145	200	260	300	
			20%		1.34	2.28	2.81	3.48	3.89	5.36	6.97	8.04	
					70	120	180	240	300	400	450	500	
					1.88	3.22	4.82	6.43	8.04	10.7	12.1	13.4	
					68	85	135	170	200	325	400	500	
					1.82	2.28	3.62	4.56	5.36	8.71	10.7	13.4	
					75	135	200	280	360	560	685	750	
					2.01	3.62	5.36	7.50	9.65	15.0	18.4	20.1	

P912 Part Matrix

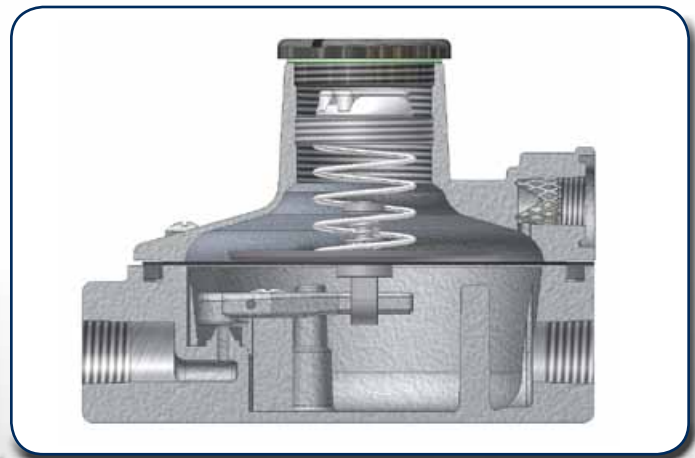
P912				1	0	0	0	0	0	
	↑	↑	↑	↑	↑	↑	↑	↑	↑	Outlet Port Size
										02
										03
										Output Pressure
										020
										040
										060
										080
										100
										120

P912 Dimensions



P912 Regulator Rebuild Kits

	Kit Includes	Part Number
P912	Arm Assembly (nitrile/zinc), Non-asbestos CGR 2750 Gasket, Monel Screen, Nitrile Diaphragm	971-912-000



P912 Parts

Item	Description	Part Number
1	Body 3/8 NPT Port, Zinc	664-310-000
	Body 1/4 NPT Port, Zinc	664-311-000
2	Arm Assembly, Nitrile/Zinc For 3-7" W.C. and 5-10" W.C. Only	827-012-000
	Arm Assembly, Nitrile/Zinc For All other ranges	827-009-000
3	Rod, Stainless Steel	646-540-000
4	Machine Screw, 5/16", plated steel (qty. 2)	648-000-417
5	Machine Screw, 3/8", plated steel (qty. 6)	648-000-418
6	Backup spring, plated steel (2.7 - 5.0 PSIG Range)	655-685-000
	Backup spring, plated steel (All Ranges Other than 2.7 - 5 PSIG)	655-715-000
7	Pin, Stainless Steel	635-062-000
8	Range Spring 3-7" W.C. red, plated steel	655-681-000
	Range Spring 5-10" W.C. orange, plated steel	655-682-000
	Range Spring 9.25-13" W.C. cadmium, plated steel	655-683-000
	Range Spring 10" W.C.-1.05 PSIG, blue, plated steel	655-684-000
	Range Spring 0.8-2.7 PSIG, yellow, plated steel	655-695-000
	Range Spring 2.7-5 PSIG, green, plated steel	655-696-000
9	Bonnet, Zinc	604-226-000
10	Closing Cap, Acetal	610-055-000
11	Gasket, Non-asbestos CGR 2750	624-064-000
12	Adjusting Screw, Acetal	648-000-419
13	Spring Seat, Plated Steel	650-128-000
14	Screen, Monel	647-019-000
15	Diaphragm Piston, Plated Steel	637-313-000
16	Poppet, Zinc	640-001-000
17	Diaphragm, Nitrile (0.8 - 2.7 PSIG & 2.7 - 5.0 PSIG Ranges Only)	600-498-000
	Diaphragm, Nitrile (All Ranges Other than 0.8 - 2.7 PSIG & 2.7 - 5.0 PSIG)	600-506-000

